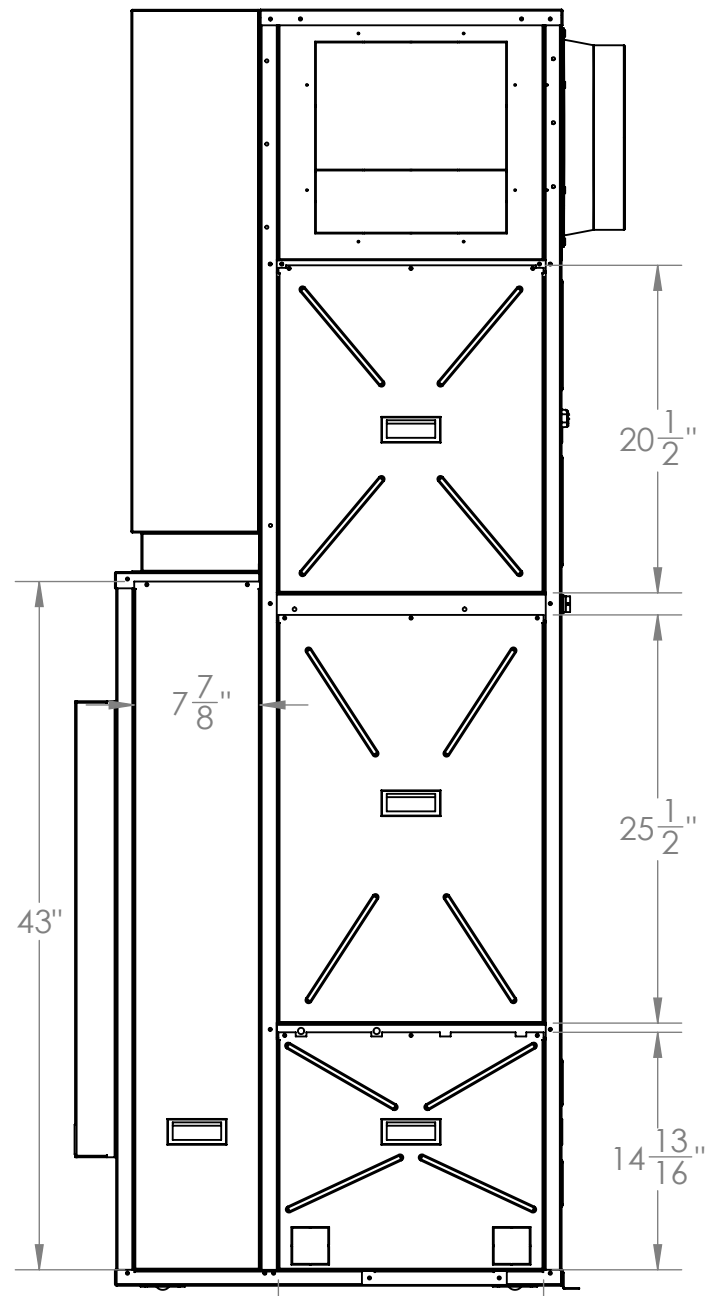
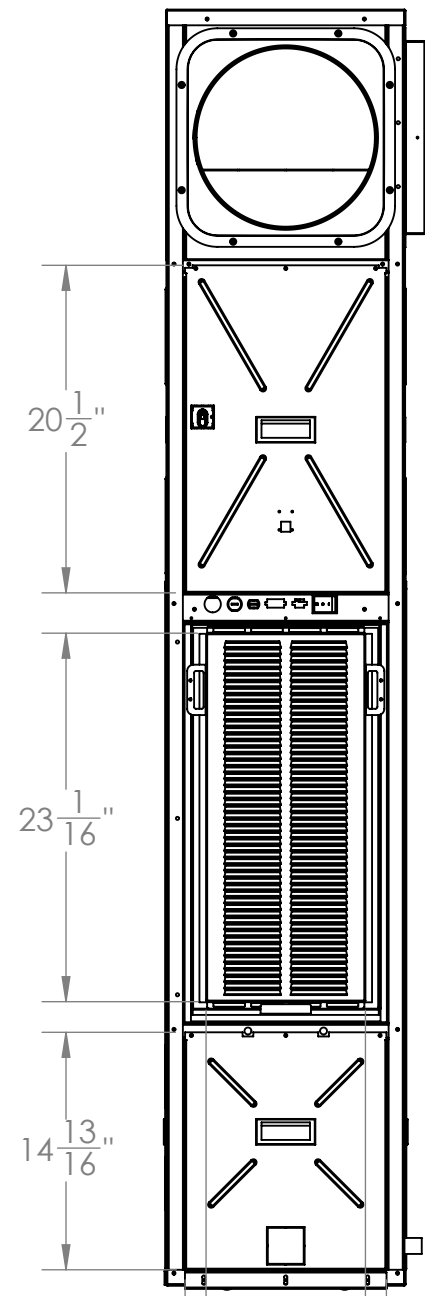


PROPRIETARY AND CONFIDENTIAL
 This drawing is the intellectual property of Ice Air, LLC and consists of confidential data belonging solely to Ice Air, LLC. The sharing of this data with you does not constitute a license to share this data with any third party, which is strictly prohibited without Ice Air's prior written consent.

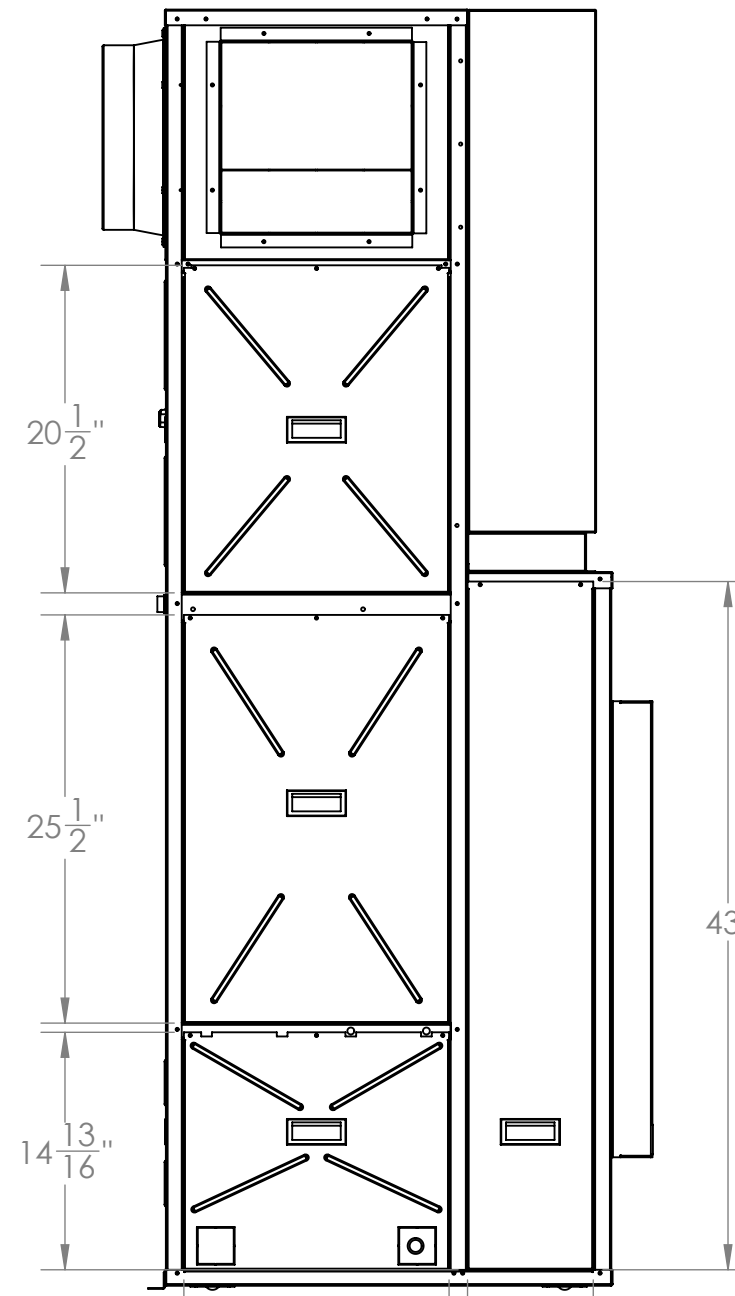
MATERIAL: N/A	ICE-AIR LLC. 80 HARTFORD AVENUE, MOUNT VERNON, NY 10553		
WEIGHT (LBS): N/A	DESCRIPTION: VSXC CHASSIS UNIT WITH 7mm COPPER PIPING, FRONT INTAKE		
FINISH: N/A	MODEL BY: IA-CN	DATE: 05/06/26	DWG. NO.
UNLESS OTHERWISE SPECIFIED: DIMENSIONS ARE IN INCHES TOLERANCES: FRACTIONAL ± 1/32 ANGULAR: MACH ± ° BEND ± 1° TWO PLACE DECIMAL ± .03 THREE PLACE DECIMAL ± .015	DRAWING BY: TL	DATE: 05/06/26	SAB-11382-7FI(APP)
SIZE B	SCALE: NONE DO NOT SCALE DRAWING	SHEET 1 OF 2	REV 03



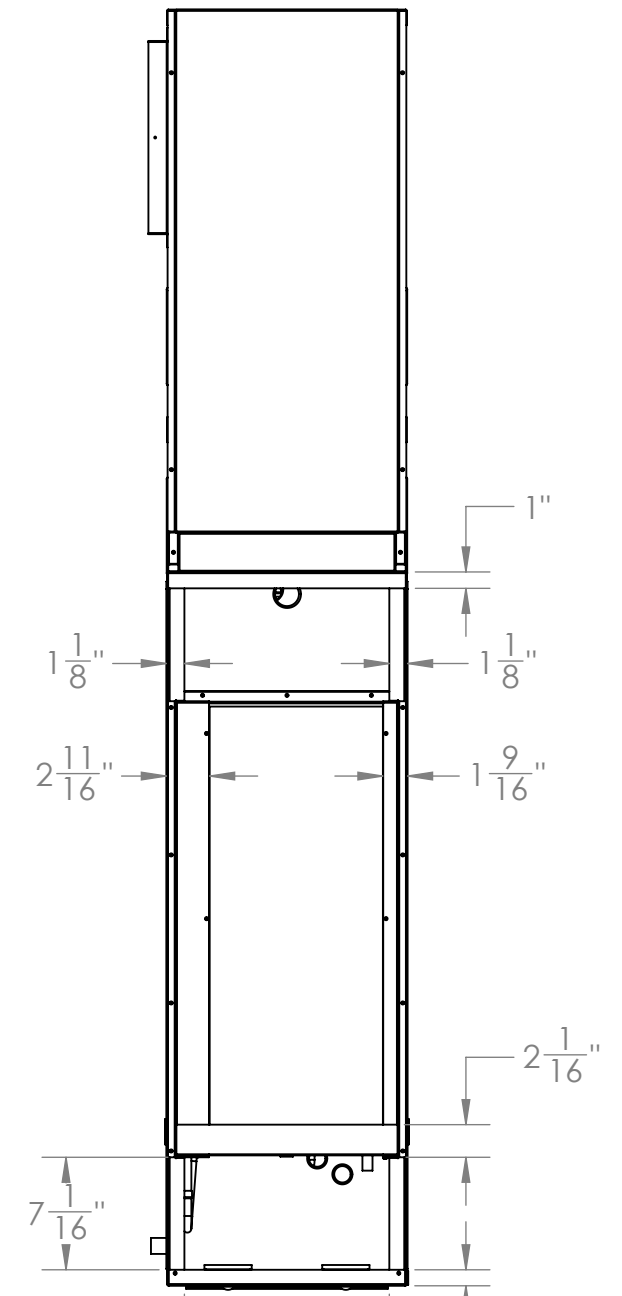
LEFT VIEW



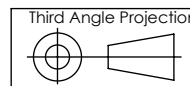
FRONT VIEW



RIGHT VIEW

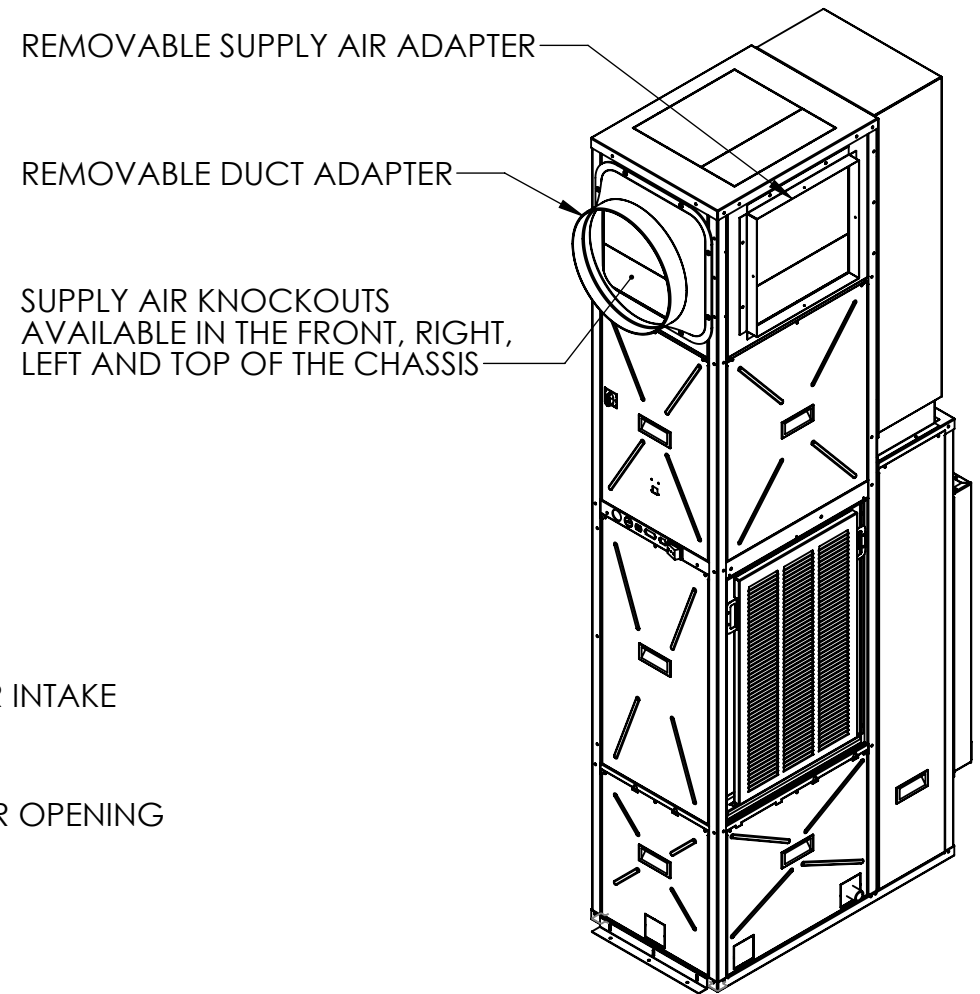
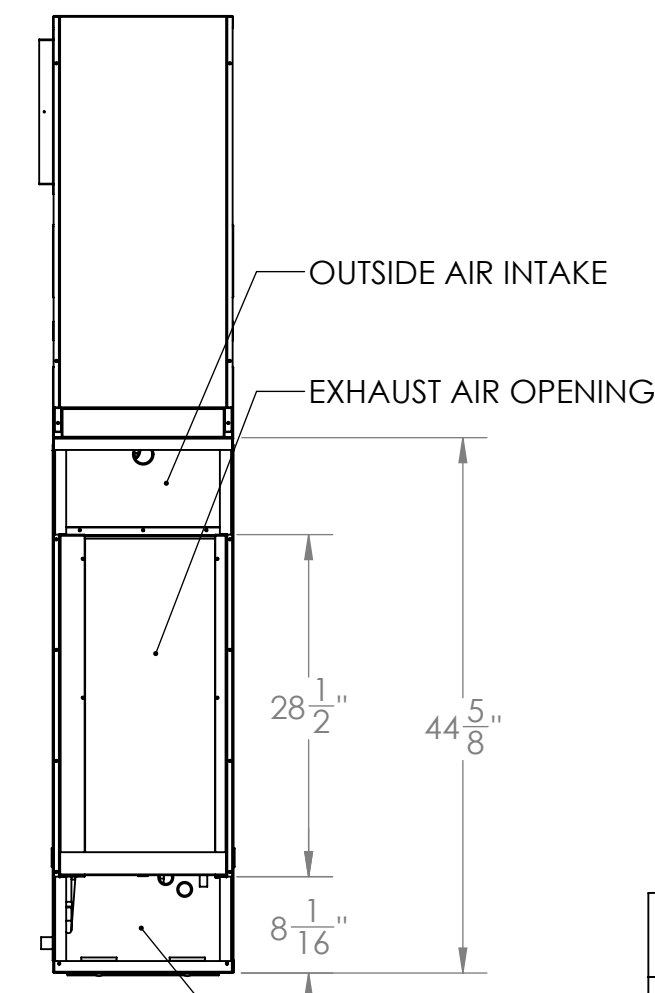
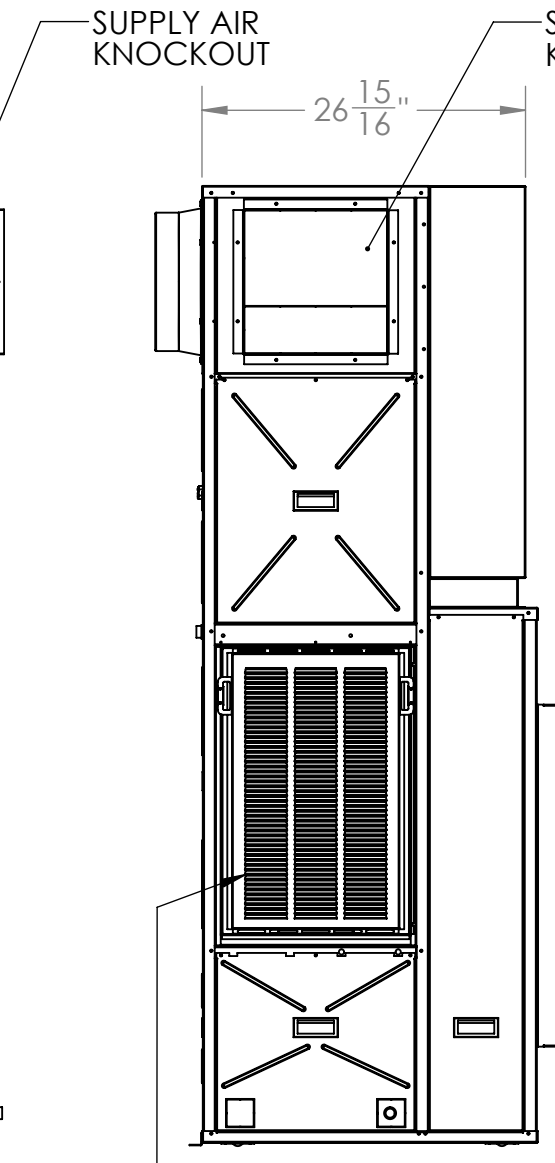
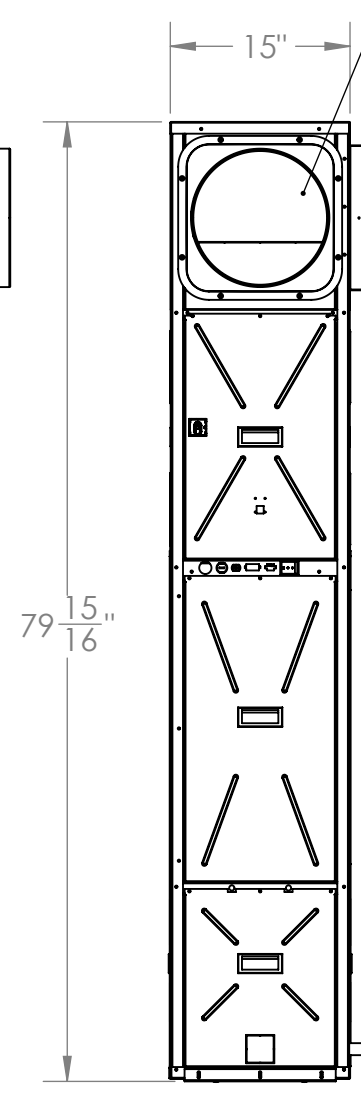
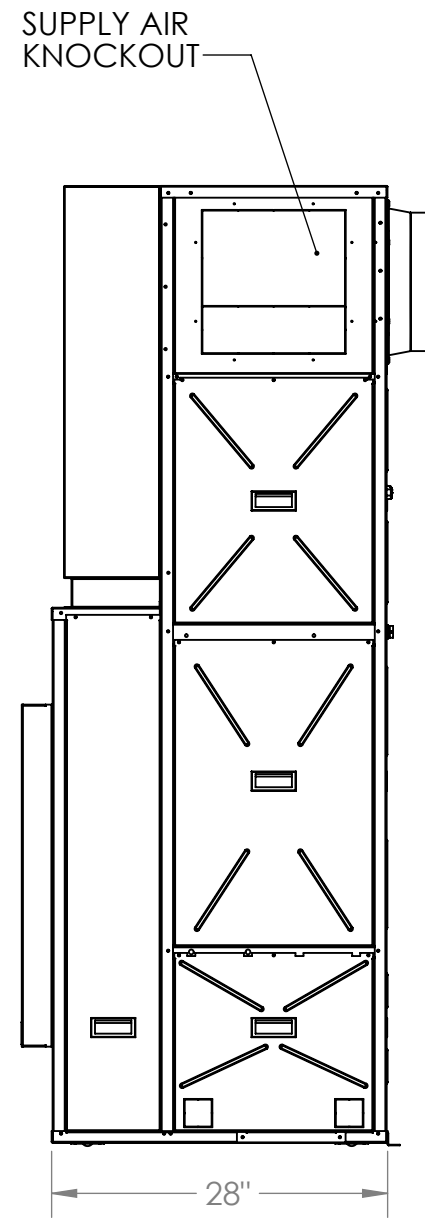
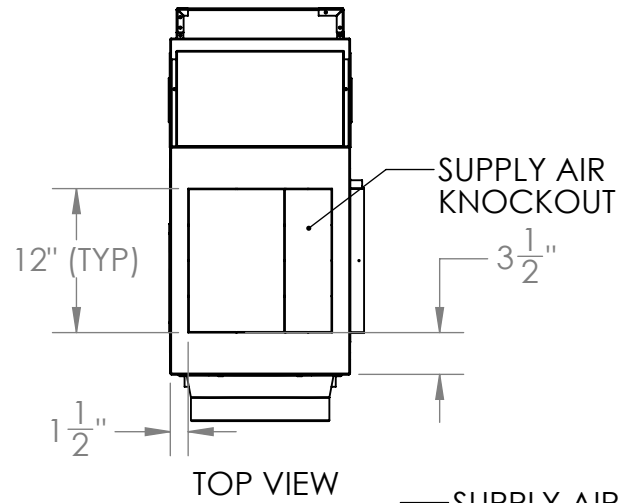


REAR VIEW



PROPRIETARY AND CONFIDENTIAL
 This drawing is the intellectual property of Ice Air, LLC and consists of confidential data belonging solely to Ice Air, LLC. The sharing of this data with you does not constitute a license to share this data with any third party, which is strictly prohibited without Ice Air's prior written consent.

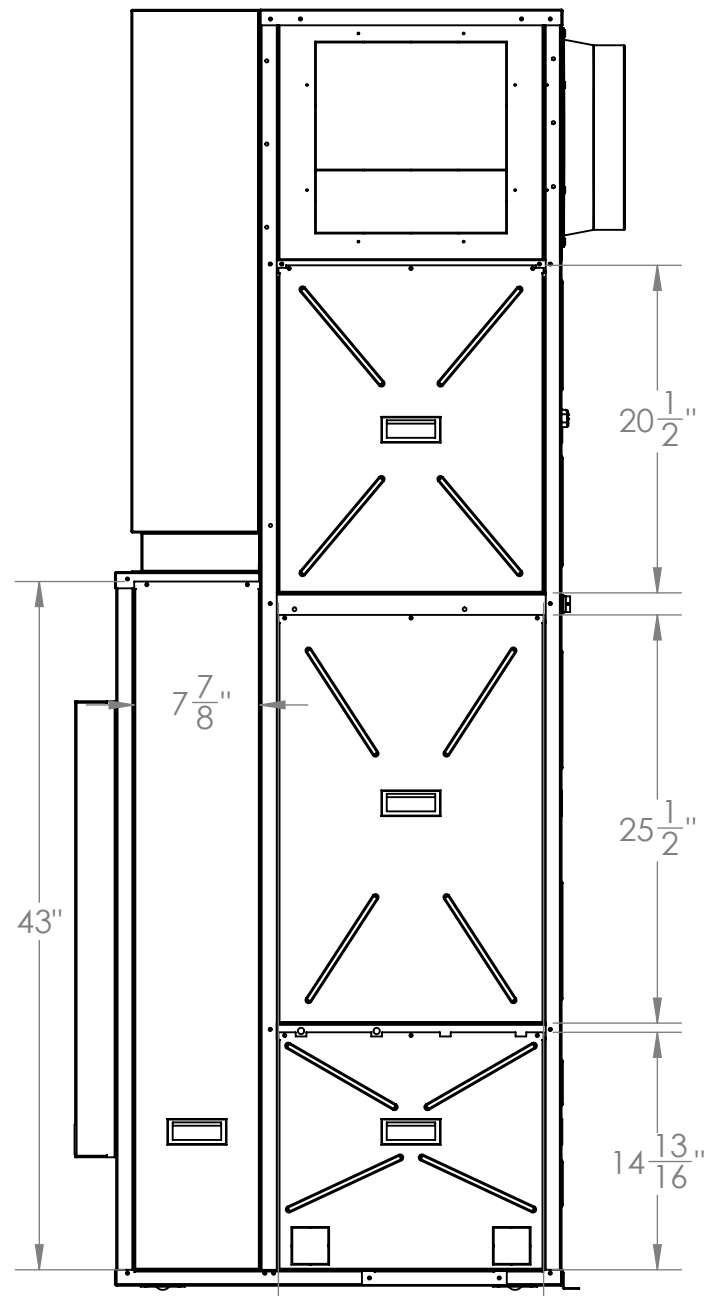
MATERIAL: N/A	ICE-AIR LLC. 80 HARTFORD AVENUE, MOUNT VERNON, NY 10553		
WEIGHT (LBS): N/A	DESCRIPTION: VSXC CHASSIS UNIT WITH 7mm COPPER PIPING, FRONT INTAKE		
FINISH: N/A	MODEL BY: IA-CN	DATE: 05/06/26	DWG. NO.
UNLESS OTHERWISE SPECIFIED: DIMENSIONS ARE IN INCHES TOLERANCES: FRACTIONAL ± 1/32 ANGULAR: MACH ± ° BEND ± 1° TWO PLACE DECIMAL ± .03 THREE PLACE DECIMAL ± .015	DRAWING BY: TL	DATE: 05/06/26	SAB-11382-7FI(APP)
SIZE B	SCALE: NONE DO NOT SCALE DRAWING	SHEET 2 OF 2	REV 03



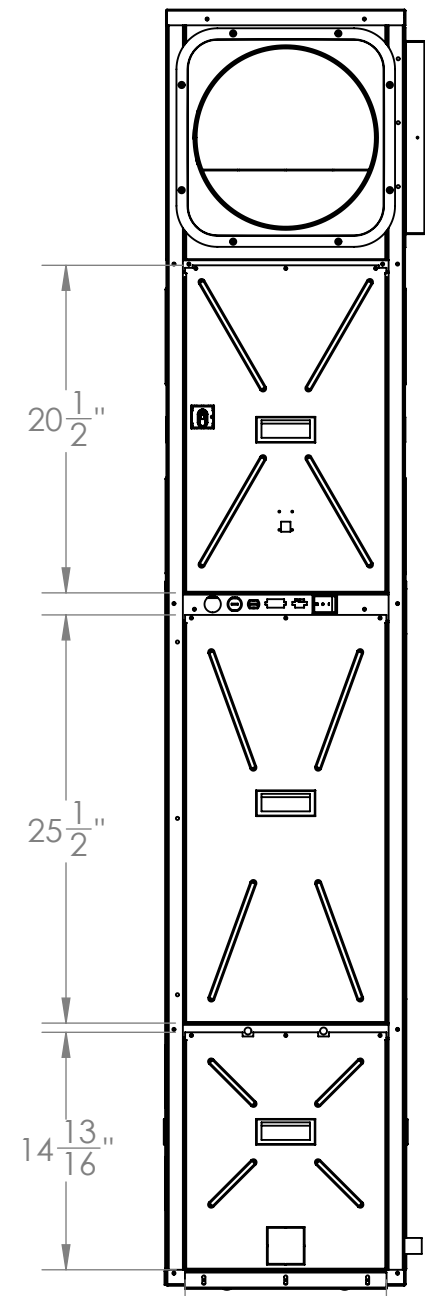
Third Angle Projection

PROPRIETARY AND CONFIDENTIAL
 This drawing is the intellectual property of Ice Air, LLC and consists of confidential data belonging solely to Ice Air, LLC. The sharing of this data with you does not constitute a license to share this data with any third party, which is strictly prohibited without Ice Air's prior written consent.

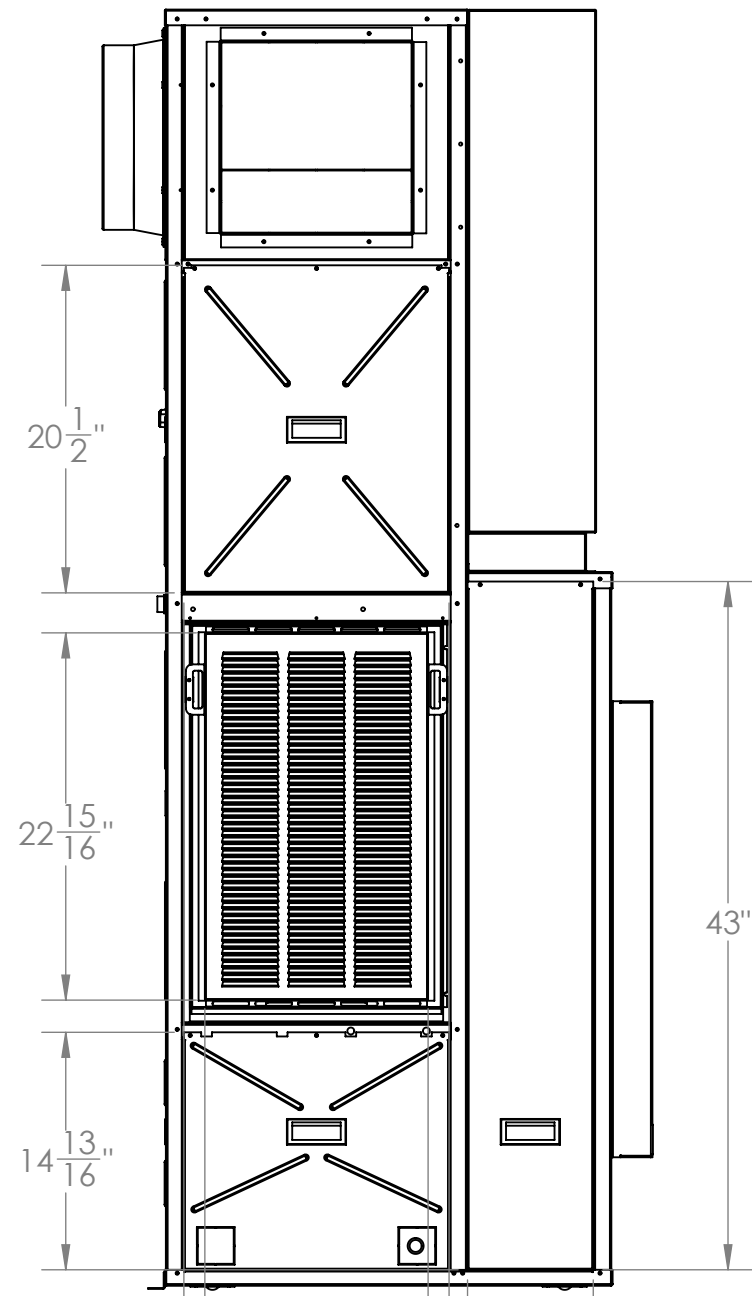
MATERIAL: N/A	ICE-AIR LLC. 80 HARTFORD AVENUE, MOUNT VERNON, NY 10553		
WEIGHT (LBS): N/A	DESCRIPTION: VSXC CHASSIS UNIT WITH 7mm COPPER PIPING, RIGHT HAND INTAKE		
FINISH: N/A	MODEL BY: IA-CN	DATE: 05/06/26	DWG. NO.
UNLESS OTHERWISE SPECIFIED: DIMENSIONS ARE IN INCHES TOLERANCES: FRACTIONAL ± 1/32 ANGULAR: MACH ± ° BEND ± 1° TWO PLACE DECIMAL ± .03 THREE PLACE DECIMAL ± .015	DRAWING BY: TL	DATE: 05/26/26	SAB-11382-7RI(APP)
SIZE B	SCALE: NONE DO NOT SCALE DRAWING	SHEET 1 OF 2	REV 02



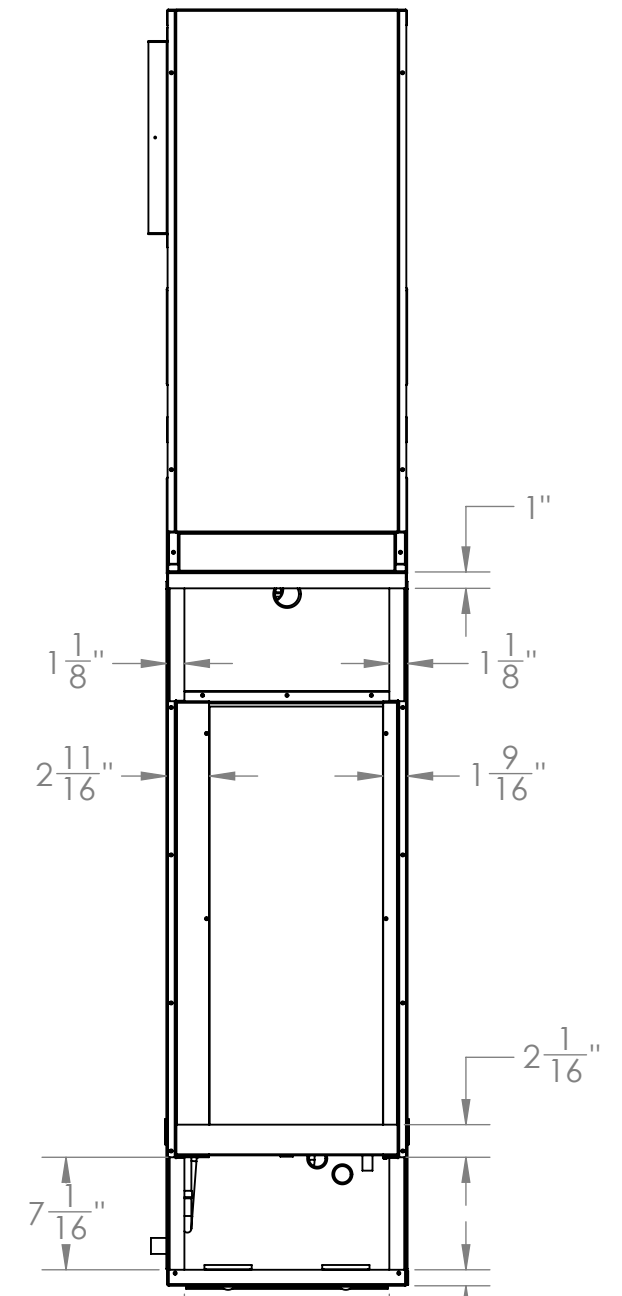
LEFT VIEW



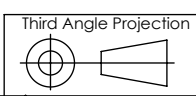
FRONT VIEW



RIGHT VIEW



REAR VIEW



PROPRIETARY AND CONFIDENTIAL
 This drawing is the intellectual property of Ice Air, LLC and consists of confidential data belonging solely to Ice Air, LLC. The sharing of this data with you does not constitute a license to share this data with any third party, which is strictly prohibited without Ice Air's prior written consent.

MATERIAL: N/A	ICE-AIR LLC. 80 HARTFORD AVENUE, MOUNT VERNON, NY 10553		
WEIGHT (LBS): N/A	DESCRIPTION: VSXC CHASSIS UNIT WITH 7mm COPPER PIPING, RIGHT HAND INTAKE		
FINISH: N/A	MODEL BY: IA-CN	DATE: 05/06/26	DWG. NO.
UNLESS OTHERWISE SPECIFIED: DIMENSIONS ARE IN INCHES TOLERANCES: FRACTIONAL ± 1/32 ANGULAR: MACH ± ° BEND ± 1° TWO PLACE DECIMAL ± .03 THREE PLACE DECIMAL ± .015	DRAWING BY: TL	DATE: 05/26/26	SAB-11382-7RI(APP)
SIZE B	SCALE: NONE DO NOT SCALE DRAWING	SHEET 2 OF 2	REV 02