

COLD CLIMATE PACKAGED TERMINAL UNIT CERTIFIED DRAWING

DWG. NO. **RSXC-S Series Submittal**
 REV. - 01

PROJECT	DATE	12/1/22	BY	JL	REVISIONS
PURCHASER	P.O. #				DESCRIPTION
ARCHITECT	SHIP DATE				
ENGINEER					
HVAC CONTR.					
GEN. CONTR.					

DESIGNATION	MODEL NUMBER	QTY
A		
B		
C		
TOTAL		

UNIT SPECIFICATIONS+

SERIES MODEL #	RSXC09-S	
Cooling Capacity (Btu/hr) ¹	7,500	
Cooling Capacity Range (Btu/hr)	6,300 - 11,800	
EER ¹	11.0	
Heating Capacity (Btu/hr) ²	7,500	
Heating Capacity Range (Btu/hr)	5,200 - 12,600	
COP ²	3.5	
Voltage	115	208
Current in Cooling Operation (Amps)	5.9	3.3
Power in Cooling Operation (Watts)	682	
Current in Heating Operation (Amps)	5.5	3.0
Power in Heating Operation (Watts)	628	
MCA (without Electric Heat)	10.6	5.9
MOCP (without Electric Heat)	15	15
Evaporator Motor Nominal HP	1/25	1/25
Airflow (CFM)	380	
	LOW AMBIENT PERFORMANCE	
HEATING CAPACITY @ 10F	6,100	
COP @ 10F	2.00	
HEATING CAPACITY @ 5F	5,600	
COP @ 5F	1.75	

SPECIFICATION NOTES:

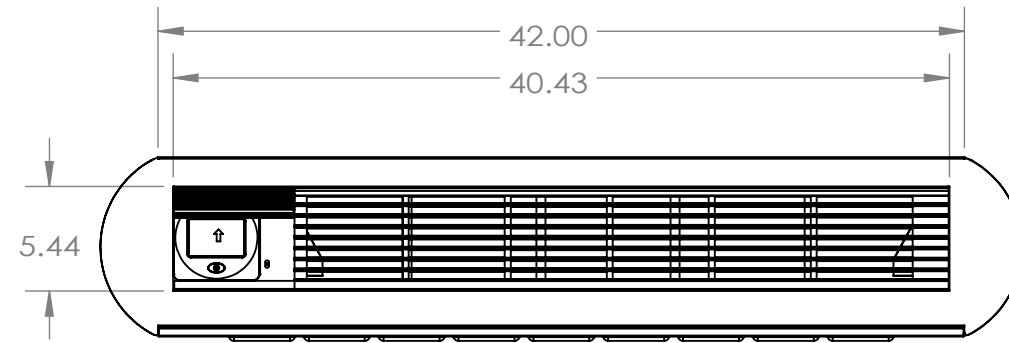
1. Rated performances in cooling mode @ 80F/67F DB/WB Indoors and 95F/75F DB/WB Ambient
2. Rated performances in heating mode @ 70F/60F DB/WB Indoors and 47F/43F DB/WB Ambient

GENERAL NOTES:

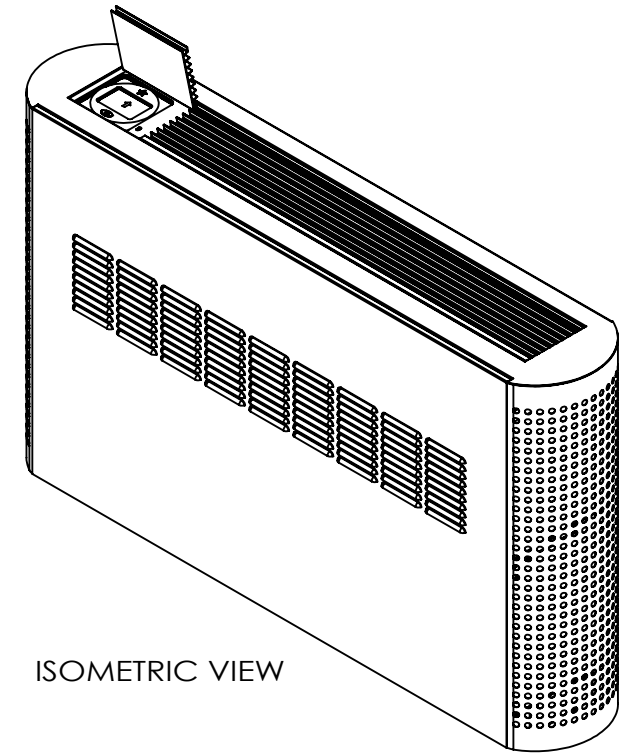
- 1: For use as a complete assembly only.
 For replacement unit applications, consult Manufacturer.

CUSTOM NOTES

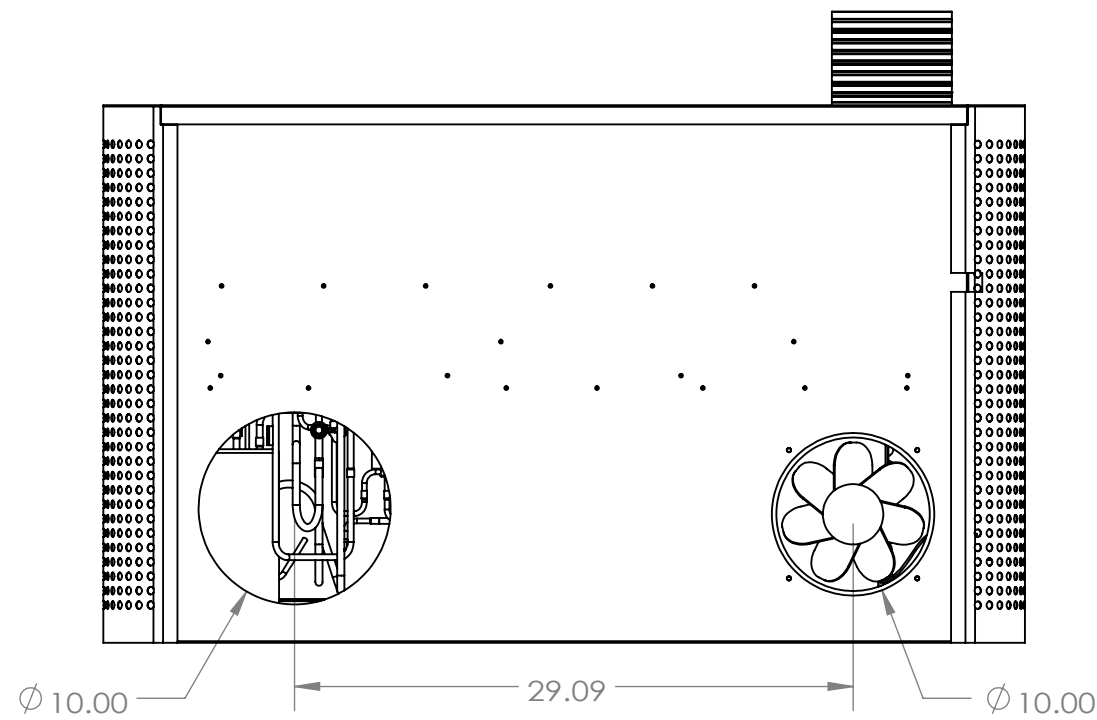
RSXC-S MODEL



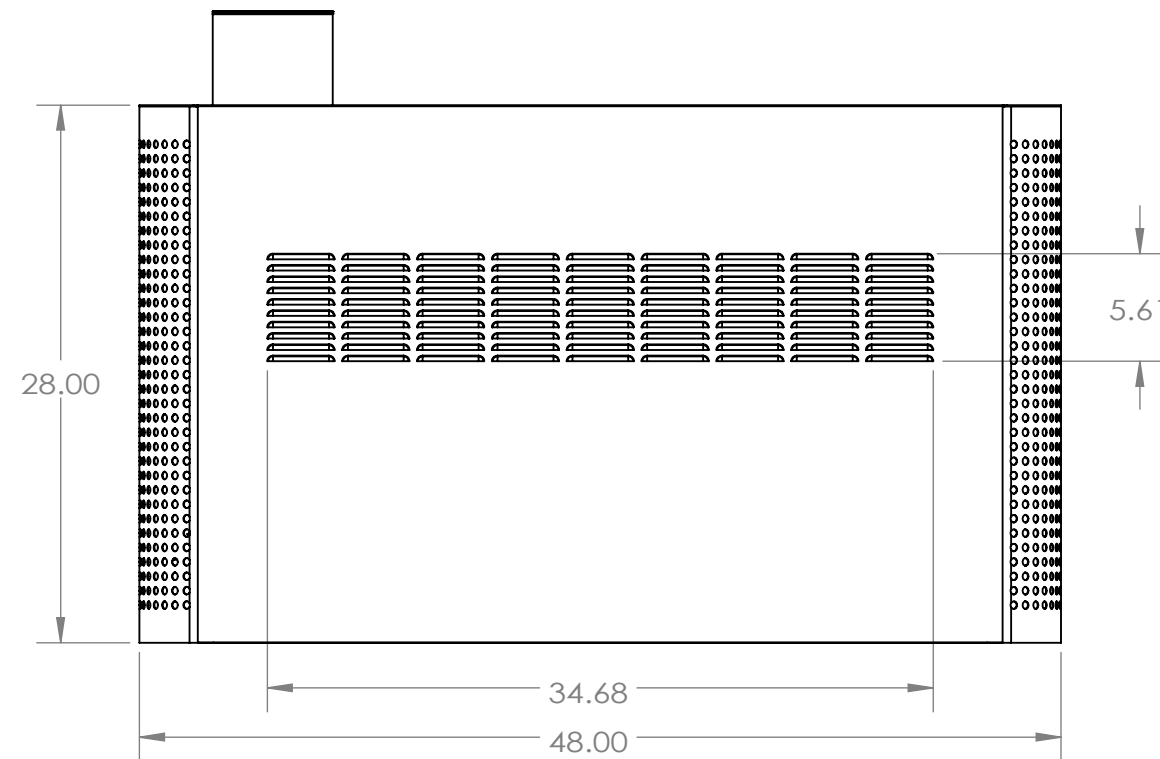
TOP VIEW



ISOMETRIC VIEW

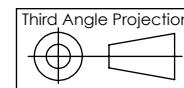


BACK VIEW



FRONT VIEW

MATERIAL:	ICE-AIR LLC. 80 HARTFORD AVENUE MOUNT VERNON, NY 10553		
WEIGHT (LBS):			
FINISH:	TITLE: RSXC-S MODEL DIMENSIONAL DRAWING		
UNLESS OTHERWISE SPECIFIED: DIMENSIONS ARE IN INCHES TOLERANCES: FRACTIONAL ± 1/32 ANGULAR: MACH ± ° BEND ± 1° TWO PLACE DECIMAL ± .03 THREE PLACE DECIMAL ± .015	MODEL BY: JL	DATE: 12/1/22	DWG. NO. RSXC-S MODEL
	SIZE B	SCALE: NONE DO NOT SCALE DRAWING	SHEET 1 OF 1



PROPRIETARY AND CONFIDENTIAL
 This drawing is the intellectual property of Ice Air LLC and consists of confidential data belonging solely to Ice Air, LLC. The sharing of this data with you does not constitute a license to share this data with any third party, which is strictly prohibited without Ice Air's prior written consent.