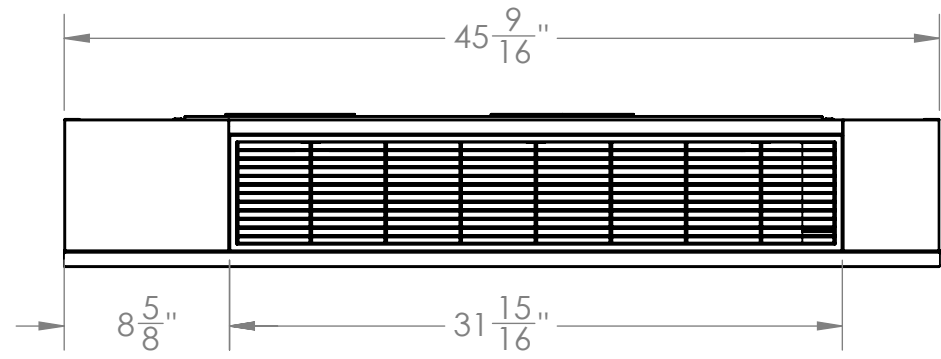
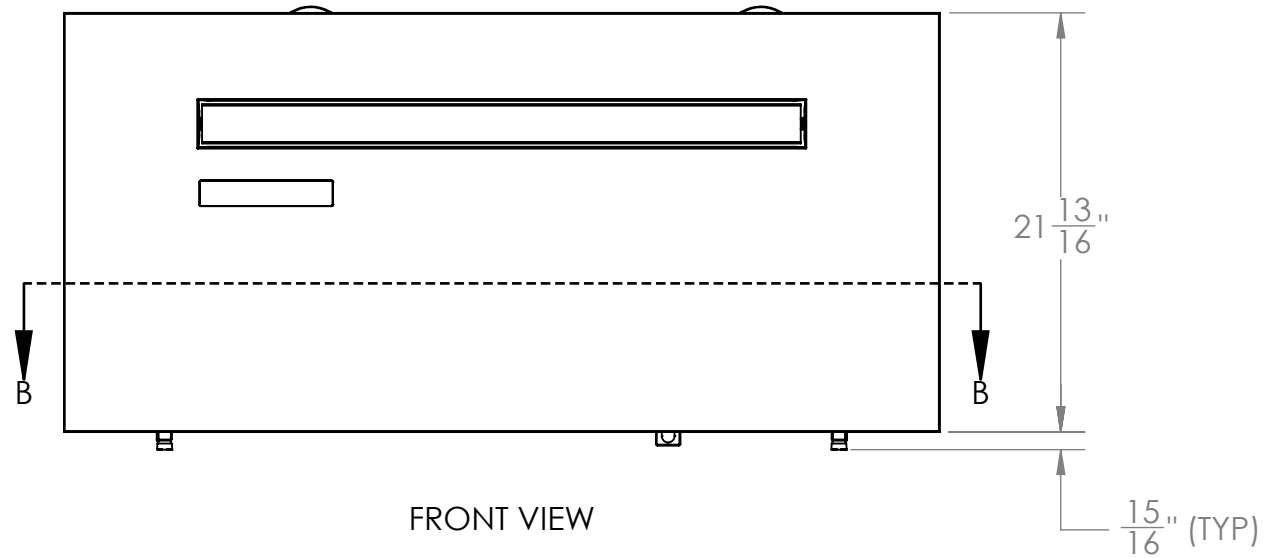


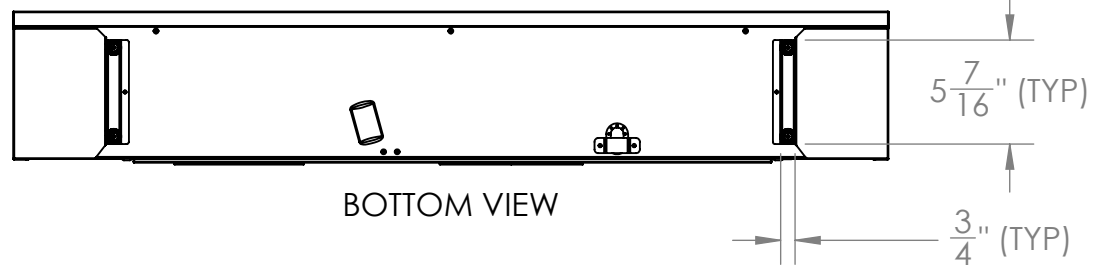
SECTION B-B



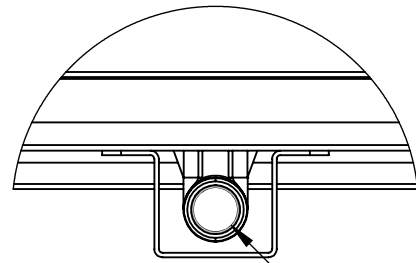
TOP VIEW



FRONT VIEW

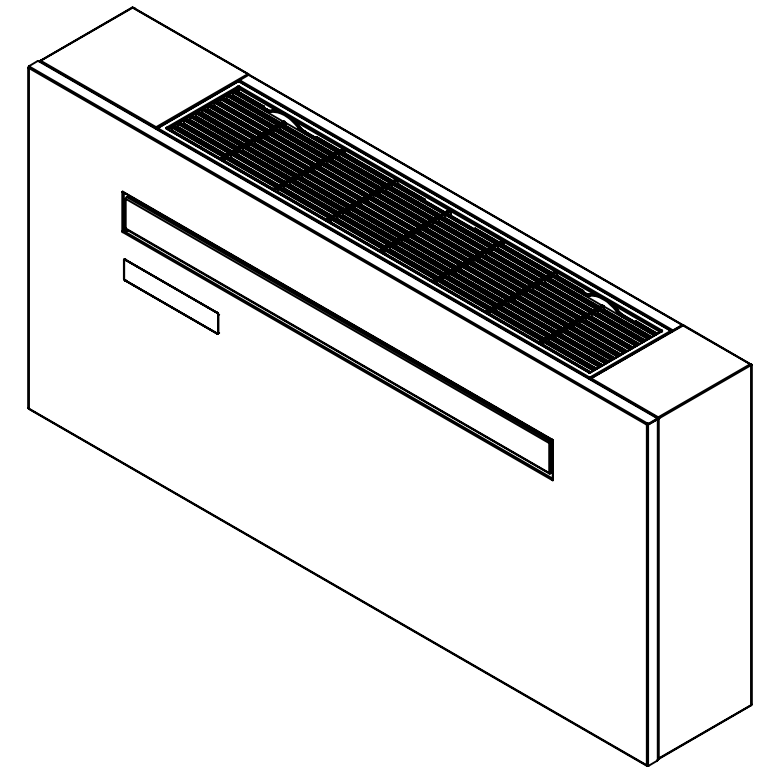


BOTTOM VIEW

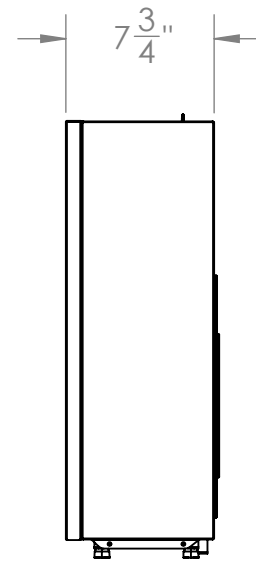


DETAIL A
SCALE 1 : 2

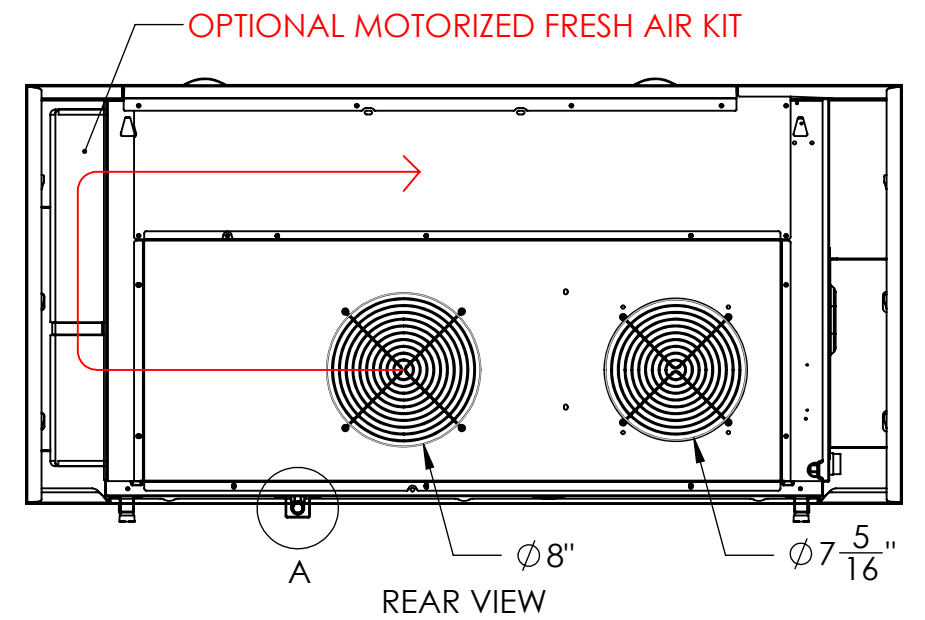
CONDENSATE DRAIN
Ø 1/2" ID



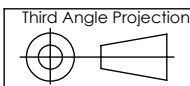
ISOMETRIC VIEW



RIGHT VIEW



REAR VIEW



PROPRIETARY AND CONFIDENTIAL
This drawing is the intellectual property of Ice Air, LLC and consists of confidential data belonging solely to Ice Air, LLC. The sharing of this data with you does not constitute a license to share this data with any third party, which is strictly prohibited without Ice Air's prior written consent.

MATERIAL: N/A	ICE-AIR LLC. 80 HARTFORD AVENUE, MOUNT VERNON, NY 10553		
WEIGHT (LBS): N/A	DESCRIPTION: ICOOOL XC UNIT TYPE C W. MOTORIZED FRESH AIR KIT		
FINISH: Refer to P.O.	MODEL BY: IA-CN	DATE: 03/02/26	DWG. NO.
UNLESS OTHERWISE SPECIFIED: DIMENSIONS ARE IN INCHES TOLERANCES: FRACTIONAL ± 1/32 ANGULAR: MACH ± ° BEND ± 1° TWO PLACE DECIMAL ± .03 THREE PLACE DECIMAL ± .015	DRAWING BY: TL	DATE: 03/02/26	SAB-11400_MFA
SIZE B	SCALE: NONE DO NOT SCALE DRAWING	SHEET 1 OF 1	REV 01