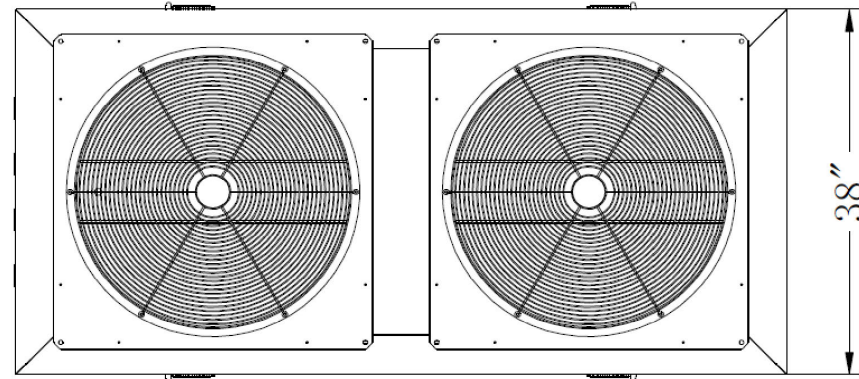
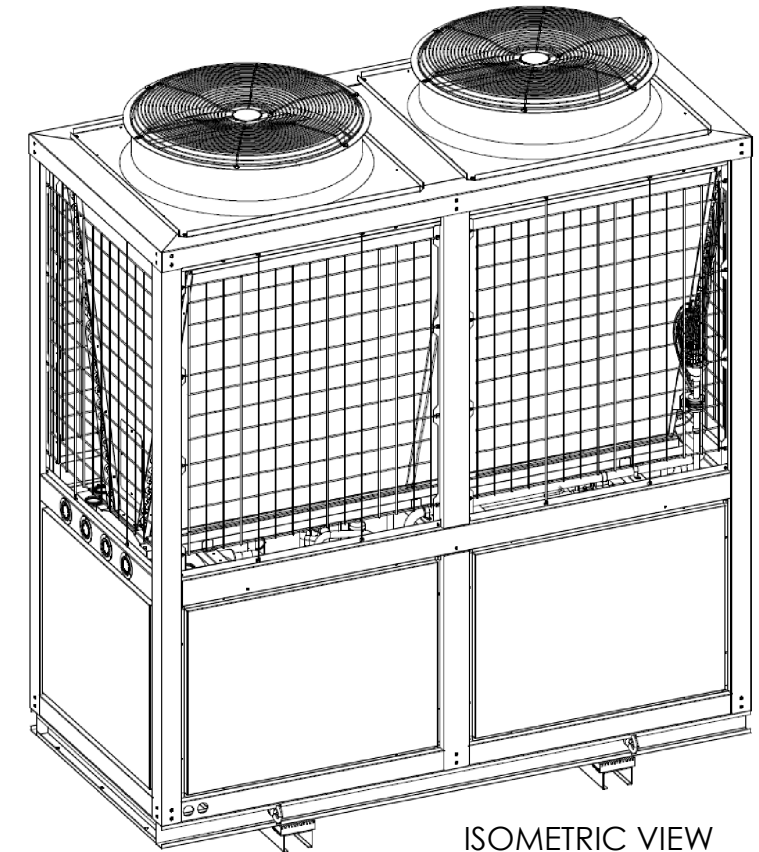


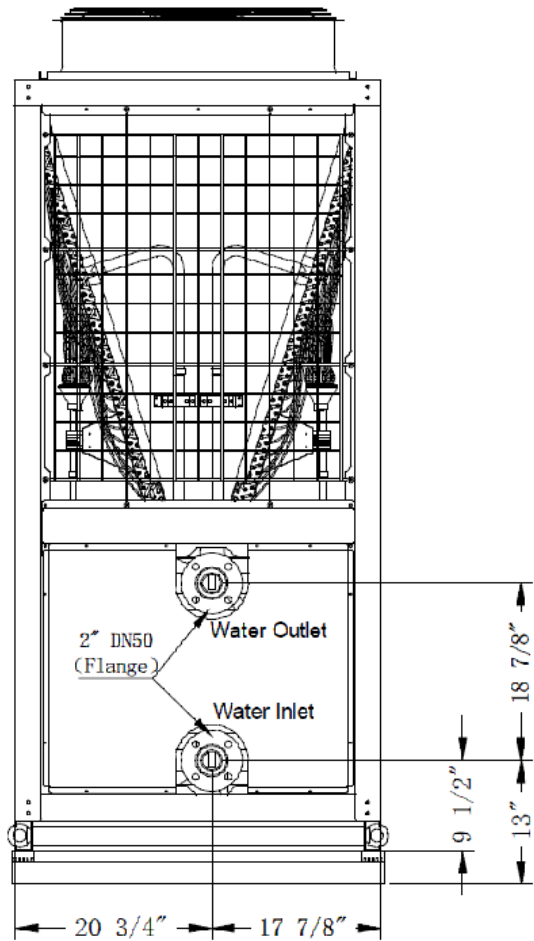
REVISIONS			
REV.	DESCRIPTION	BY	DATE



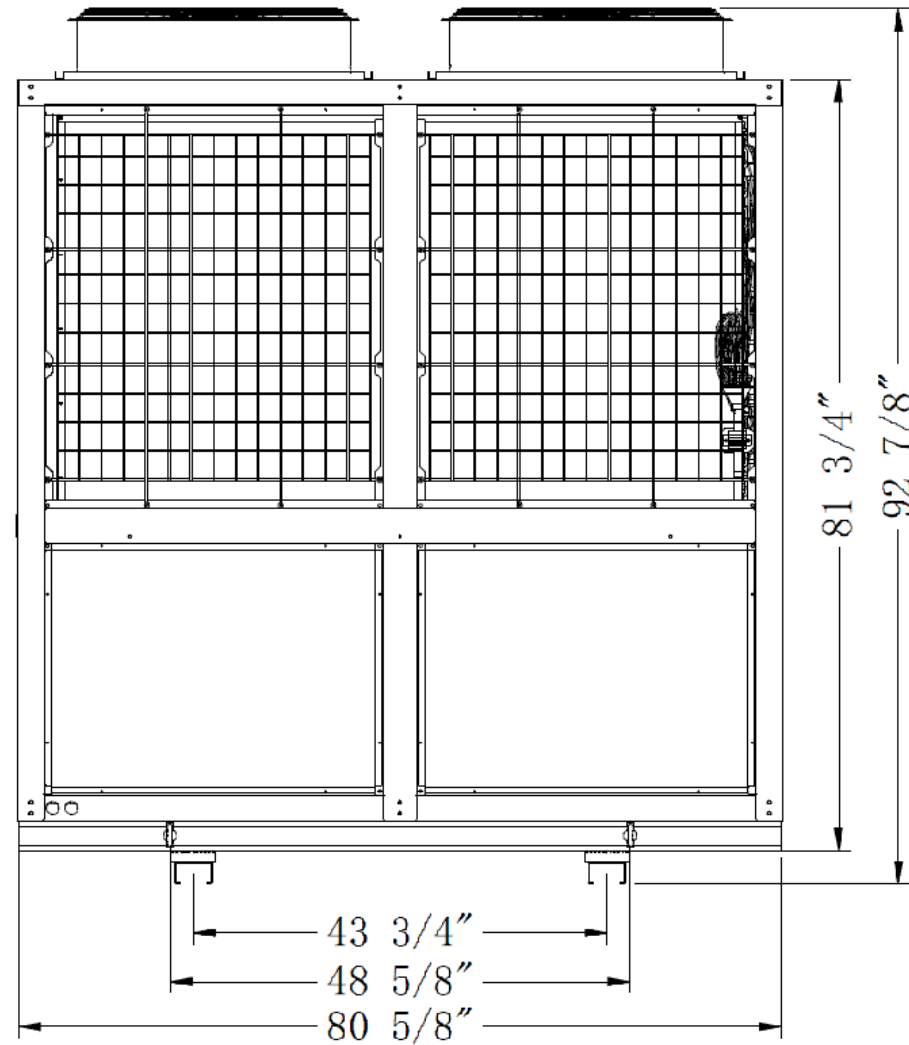
TOP VIEW



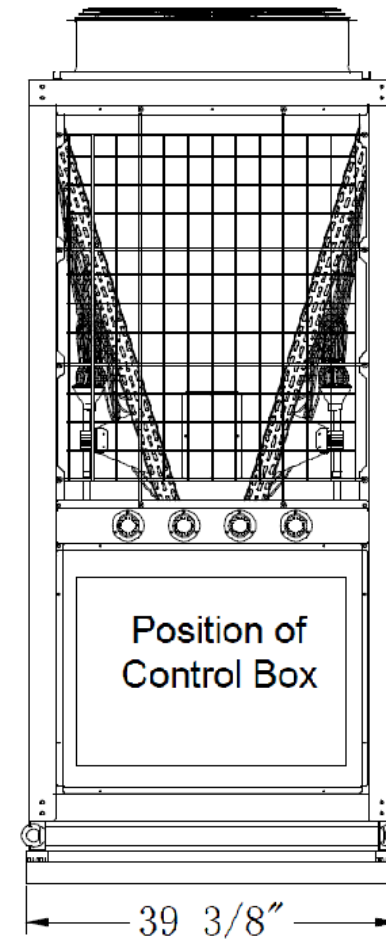
ISOMETRIC VIEW



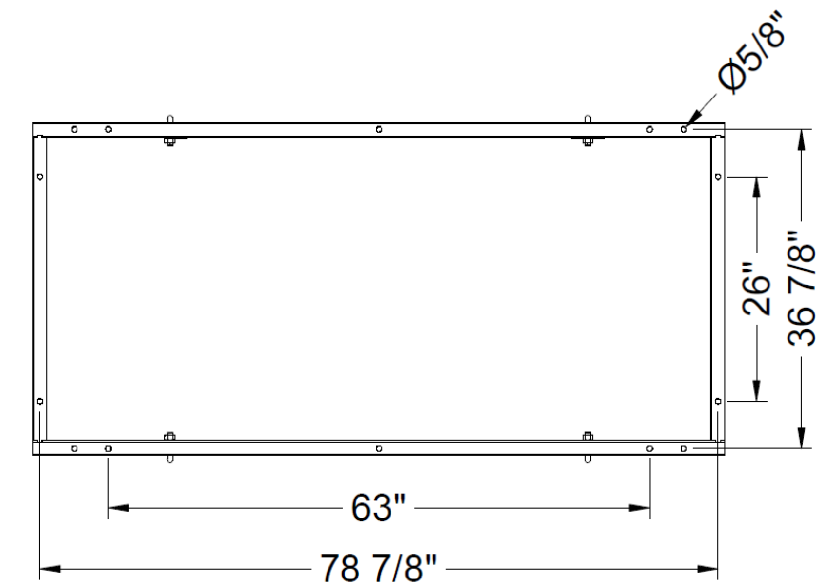
LEFT VIEW



FRONT VIEW

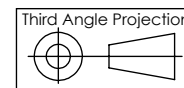


RIGHT VIEW



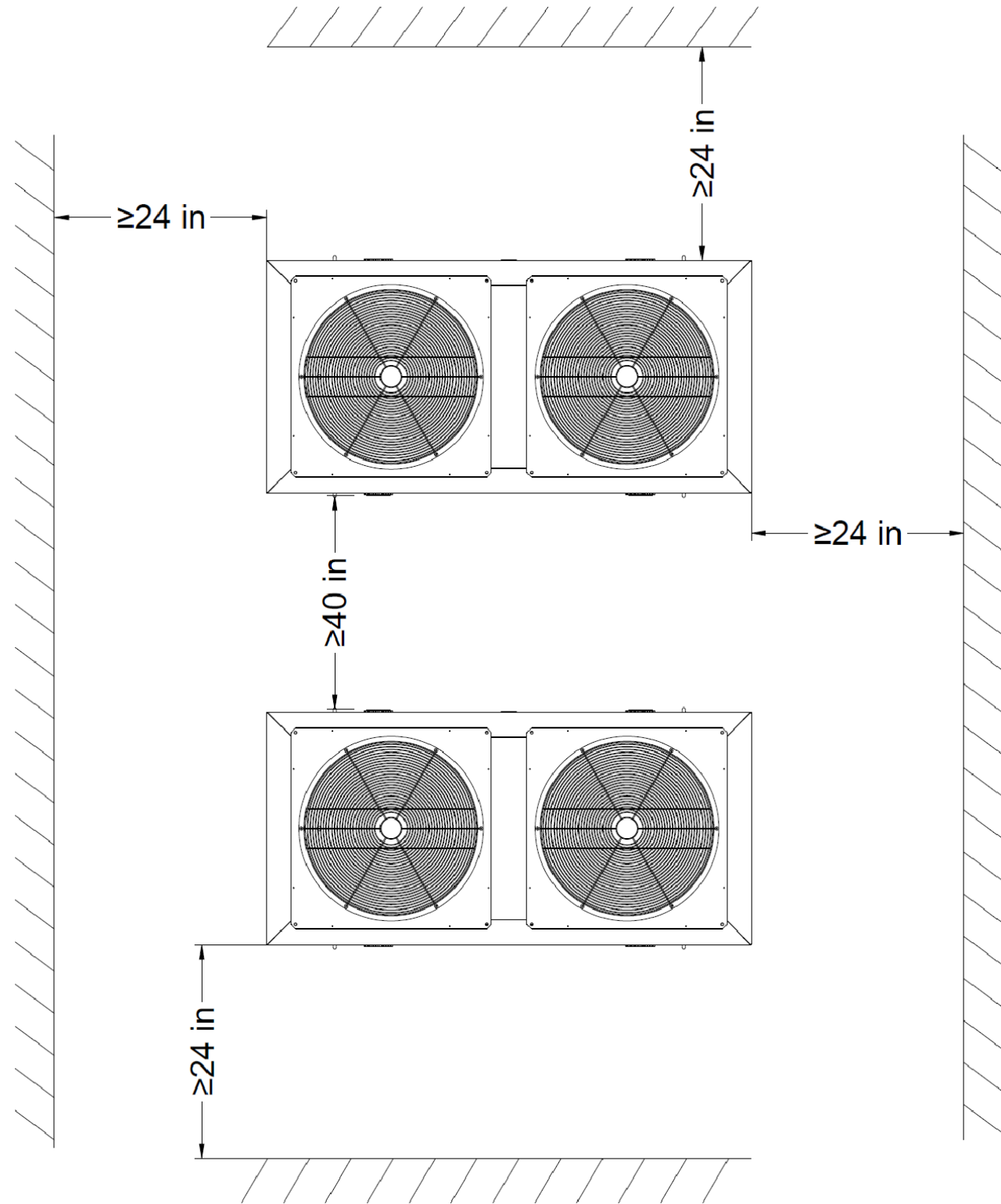
Bottom Mounting Hole Position

MATERIAL:	ICE-AIR LLC. 80 HARTFORD AVENUE MOUNT VERNON, NY 10553			
WEIGHT (LBS):				
FINISH:	TITLE: cCHPWH275 Dimensional Drawing	MODEL BY: JL	DATE: 11/24/20	DWG. NO. cCHPWH275 DWG
UNLESS OTHERWISE SPECIFIED: DIMENSIONS ARE IN INCHES TOLERANCES: FRACTIONAL ± 1/32 ANGULAR: MACH ± ° BEND ± 1° TWO PLACE DECIMAL ± .03 THREE PLACE DECIMAL ± .015	SIZE B	SCALE: NONE DO NOT SCALE DRAWING	SHEET 1 OF 2	REV

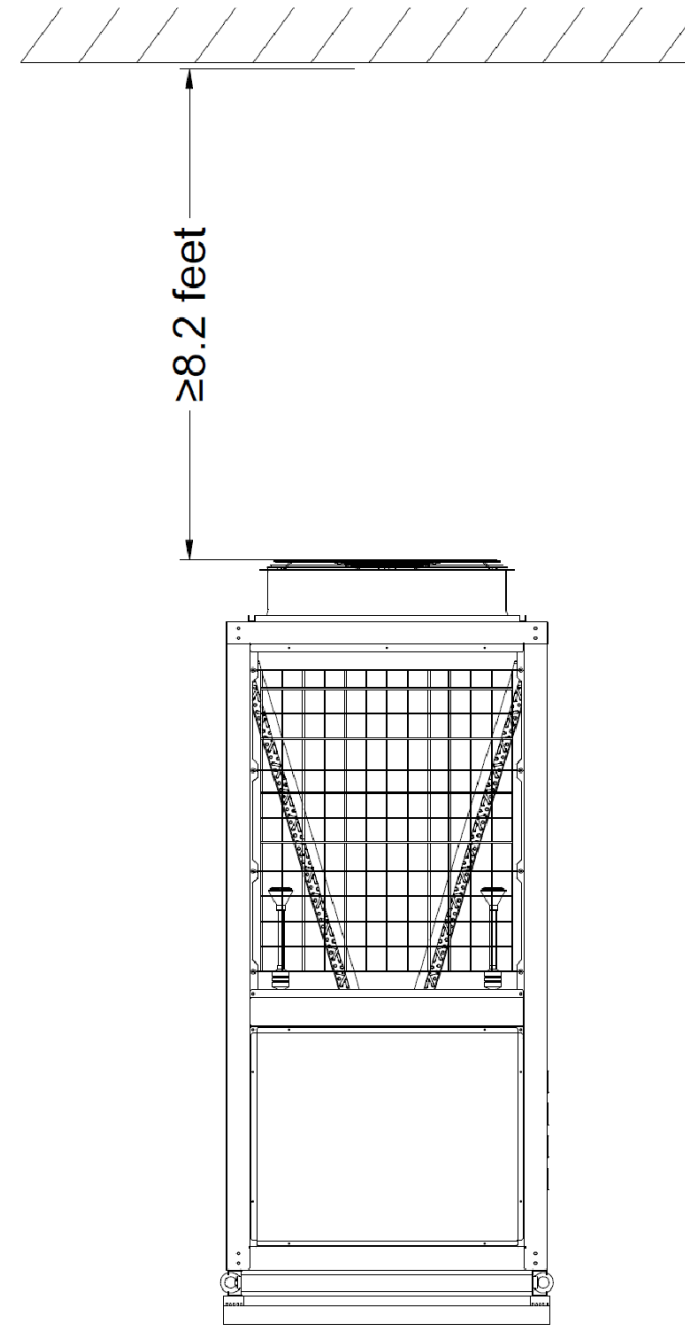


PROPRIETARY AND CONFIDENTIAL
 This drawing is the intellectual property of Ice Air LLC and consists of confidential data belonging solely to Ice Air, LLC. The sharing of this data with you does not constitute a license to share this data with any third party, which is strictly prohibited without Ice Air's prior written consent.

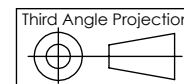
REVISIONS			
REV.	DESCRIPTION	BY	DATE



NOTE MAINTENANCE CLEARANCE: 40 INCHES FROM UNIT TO UNIT



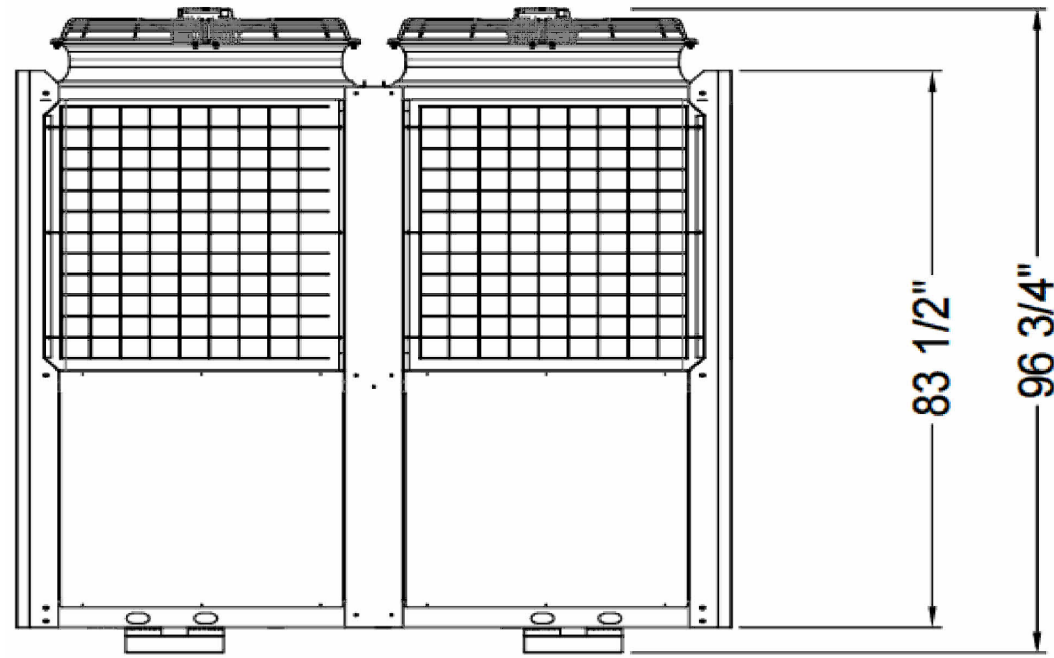
NOTE AIRFLOW CLEARANCE: 8.2 FEET FROM A CEILING



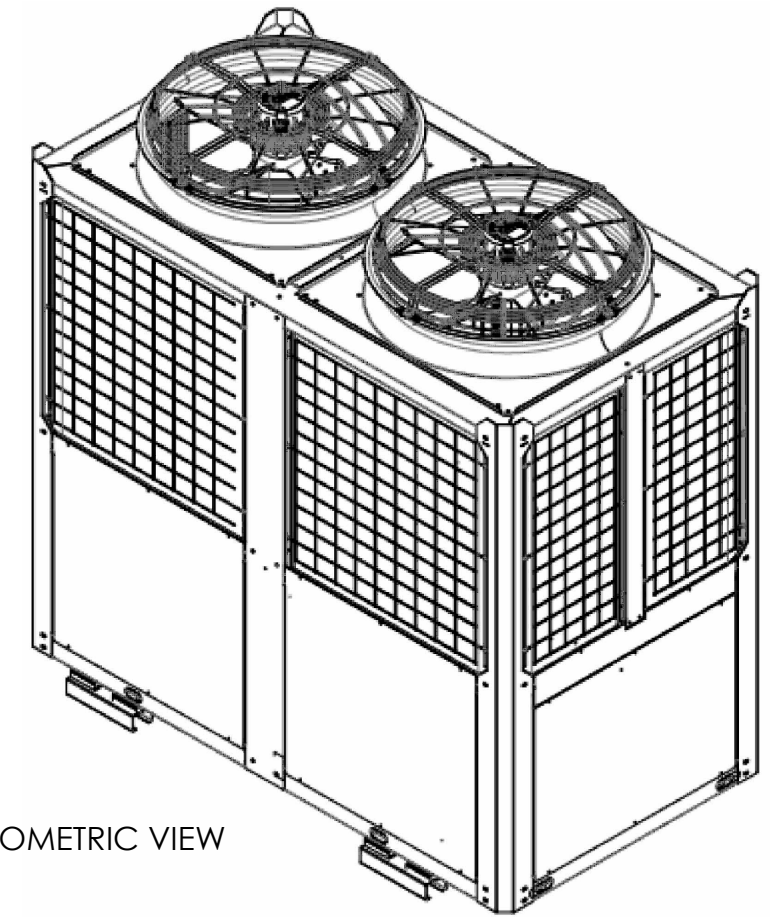
PROPRIETARY AND CONFIDENTIAL
 This drawing is the intellectual property of Ice Air LLC and consists of confidential data belonging solely to Ice Air, LLC. The sharing of this data with you does not constitute a license to share this data with any third party, which is strictly prohibited without Ice Air's prior written consent.

MATERIAL:	ICE-AIR LLC. 80 HARTFORD AVENUE MOUNT VERNON, NY 10553		
WEIGHT (LBS):			
FINISH:	TITLE: cCHPWH275 Dimensional Drawing		
UNLESS OTHERWISE SPECIFIED: DIMENSIONS ARE IN INCHES TOLERANCES: FRACTIONAL ± 1/32 ANGULAR: MACH ± ° BEND ± 1° TWO PLACE DECIMAL ± .03 THREE PLACE DECIMAL ± .015	MODEL BY: JL	DATE: 9/29/21	DWG. NO. cCHPWH275 DWG
	SIZE B	SCALE: NONE DO NOT SCALE DRAWING	SHEET 2 OF 2

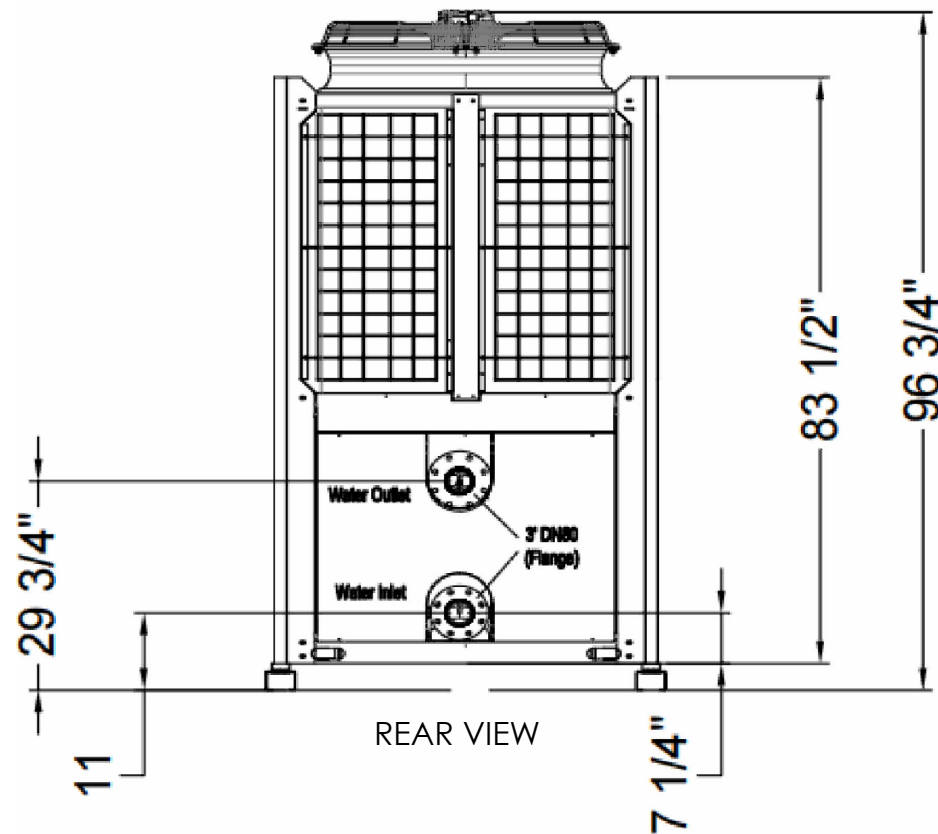
REVISIONS			
REV.	DESCRIPTION	BY	DATE



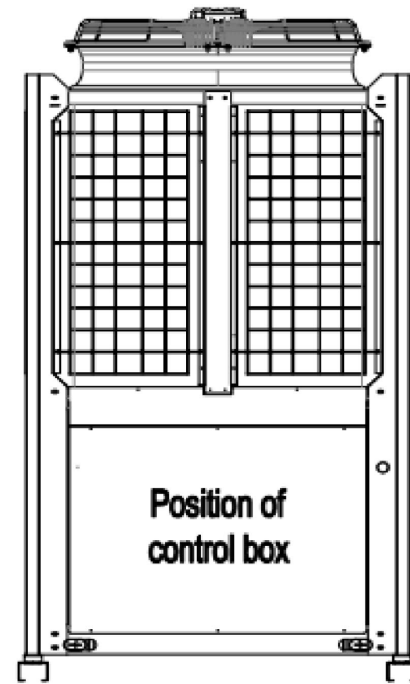
LEFT VIEW



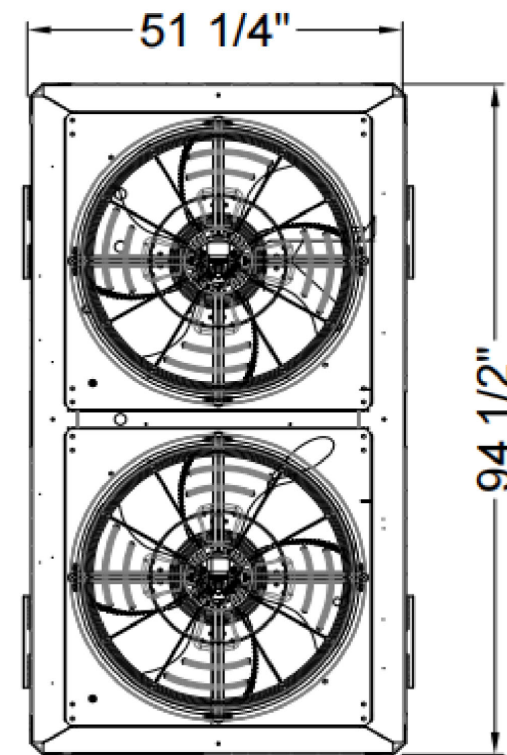
ISOMETRIC VIEW



REAR VIEW

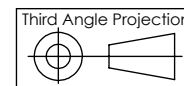


FRONT VIEW



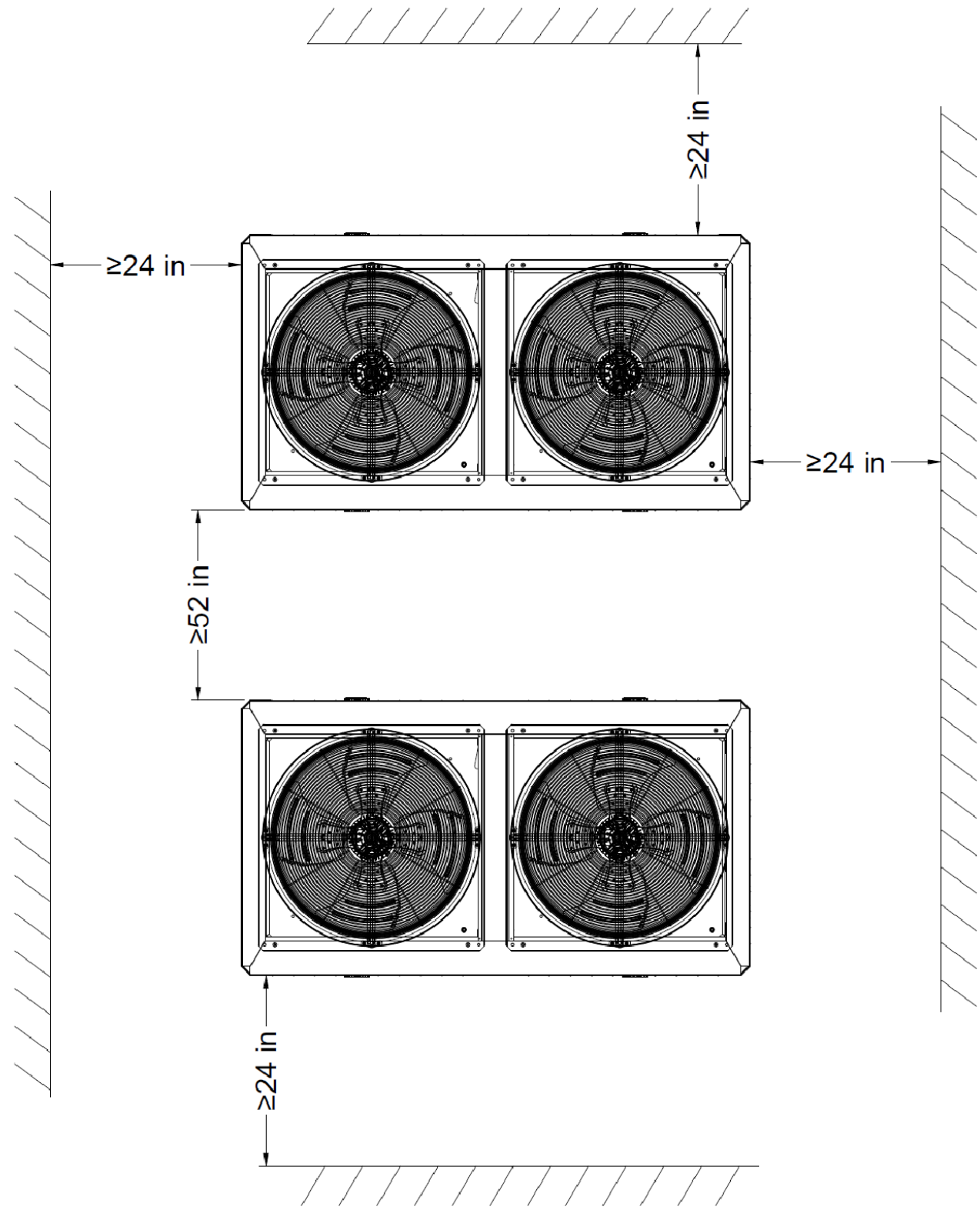
TOP VIEW

MATERIAL:	ICE-AIR LLC. 80 HARTFORD AVENUE MOUNT VERNON, NY 10553			
WEIGHT (LBS):				
FINISH:	TITLE: cCHPWH550 Dimensional Drawing	MODEL BY: JL	DATE: 9/29/21	DWG. NO. cCHPWH550 DWG
UNLESS OTHERWISE SPECIFIED: DIMENSIONS ARE IN INCHES TOLERANCES: FRACTIONAL ± 1/32 ANGULAR: MACH ± ° BEND ± 1° TWO PLACE DECIMAL ± .03 THREE PLACE DECIMAL ± .015	SIZE B	SCALE: NONE DO NOT SCALE DRAWING	SHEET 1 OF 2	REV

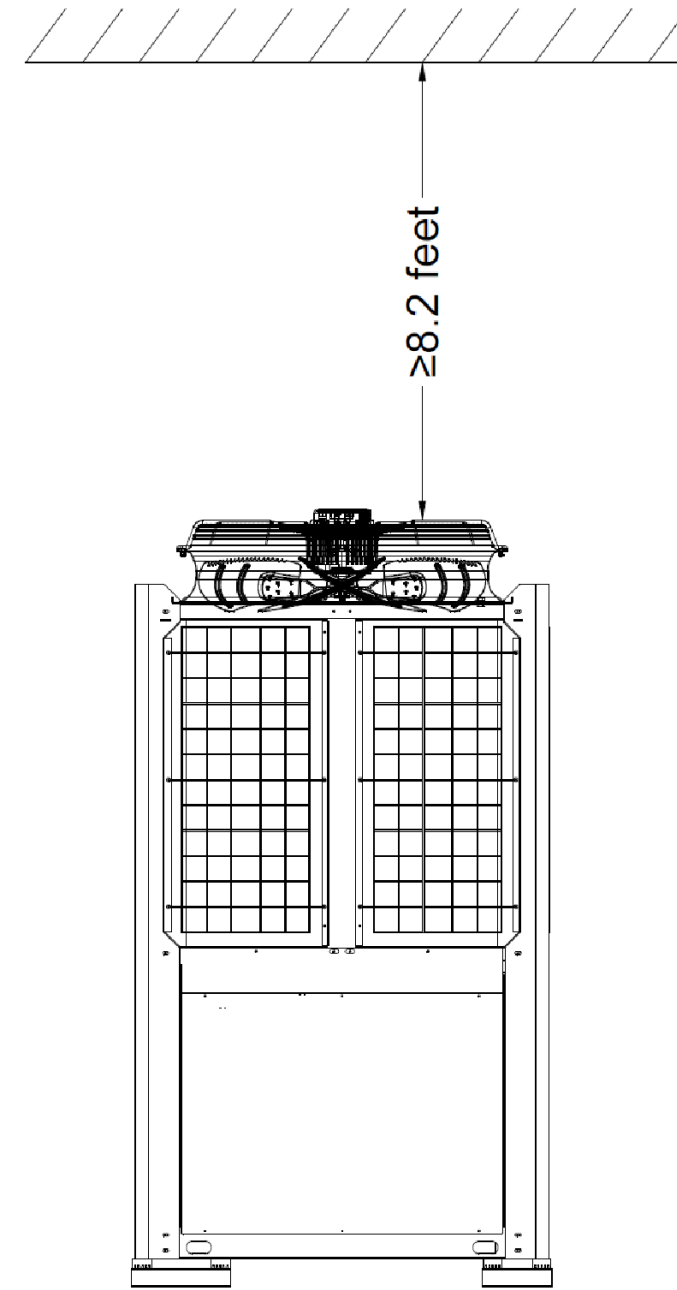


PROPRIETARY AND CONFIDENTIAL
 This drawing is the intellectual property of Ice Air LLC and consists of confidential data belonging solely to Ice Air, LLC. The sharing of this data with you does not constitute a license to share this data with any third party, which is strictly prohibited without Ice Air's prior written consent.

REVISIONS			
REV.	DESCRIPTION	BY	DATE

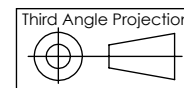


NOTE MAINTENANCE CLEARANCE: 52 INCHES FROM UNIT TO UNIT



NOTE AIRFLOW CLEARANCE: 8.2 FEET FROM A CEILING

MATERIAL:	ICE-AIR LLC. 80 HARTFORD AVENUE MOUNT VERNON, NY 10553		
WEIGHT (LBS):			
FINISH:	TITLE: cCHPWH550 Dimensional Drawing		
UNLESS OTHERWISE SPECIFIED: DIMENSIONS ARE IN INCHES	MODEL BY: JL	DATE: 9/29/21	DWG. NO. cCHPWH550 DWG
TOLERANCES: FRACTIONAL $\pm 1/32$ ANGULAR: MACH $\pm 1^\circ$ BEND $\pm 1^\circ$ TWO PLACE DECIMAL $\pm .03$ THREE PLACE DECIMAL $\pm .015$	SIZE B	SCALE: NONE DO NOT SCALE DRAWING	SHEET 2 OF 2
			REV



PROPRIETARY AND CONFIDENTIAL
 This drawing is the intellectual property of Ice Air LLC and consists of confidential data belonging solely to Ice Air, LLC. The sharing of this data with you does not constitute a license to share this data with any third party, which is strictly prohibited without Ice Air's prior written consent.