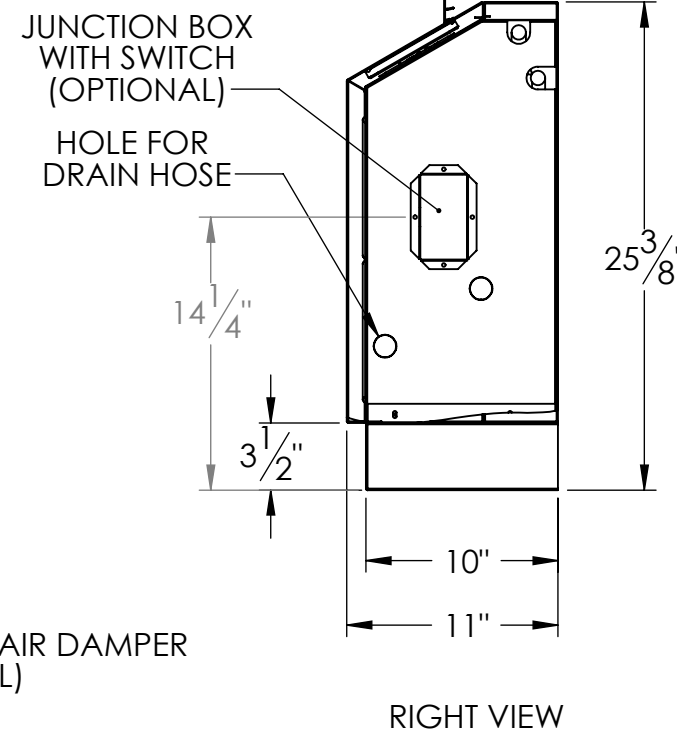
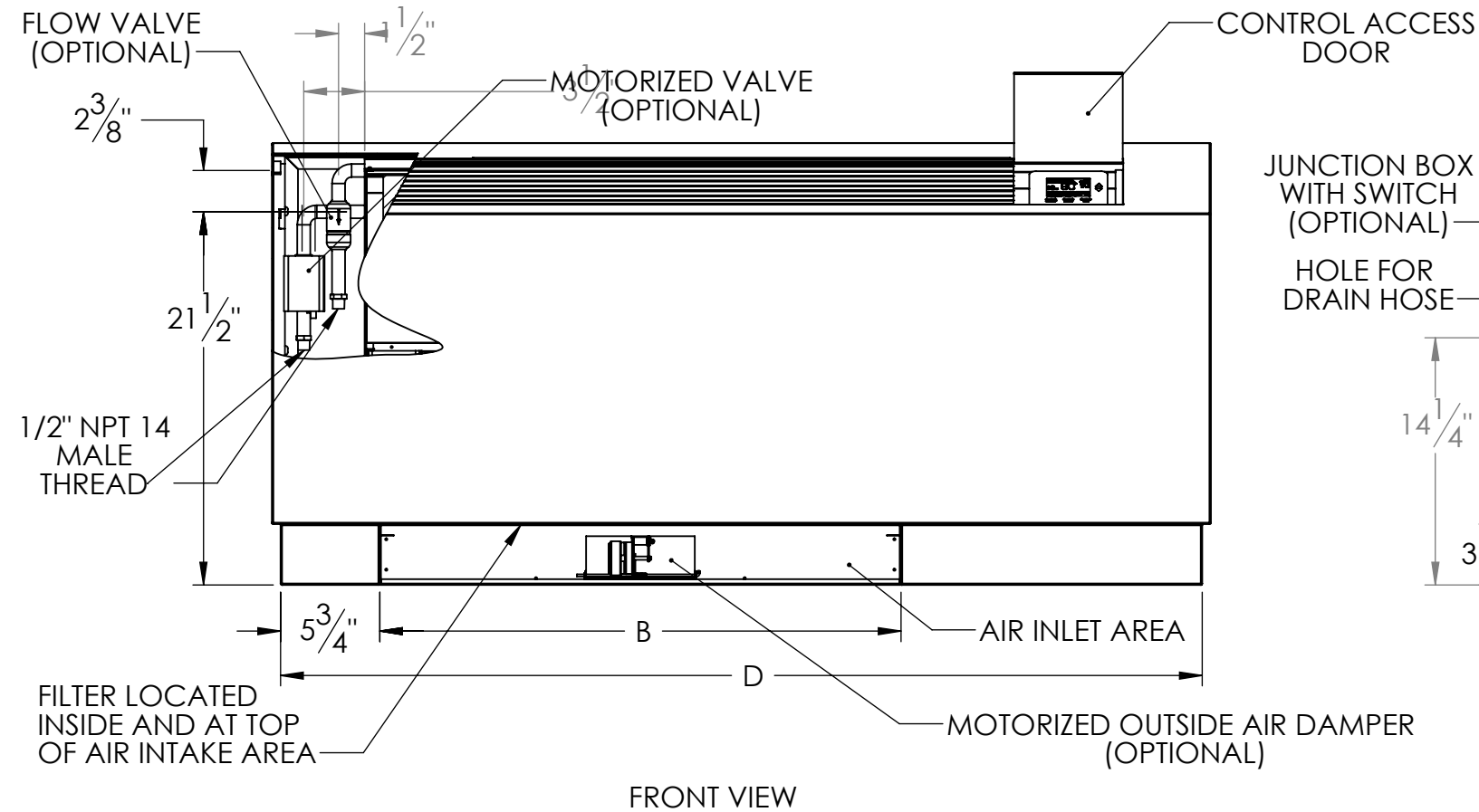
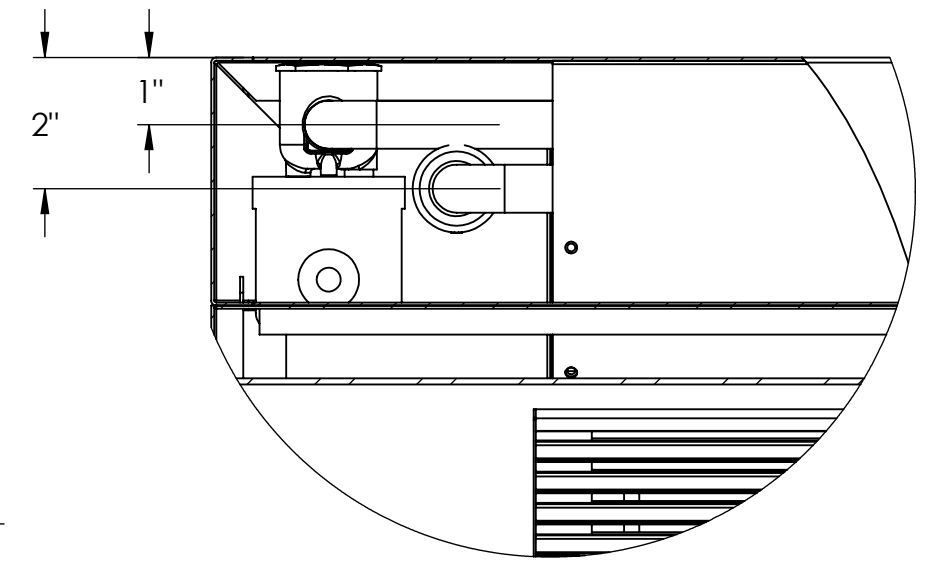
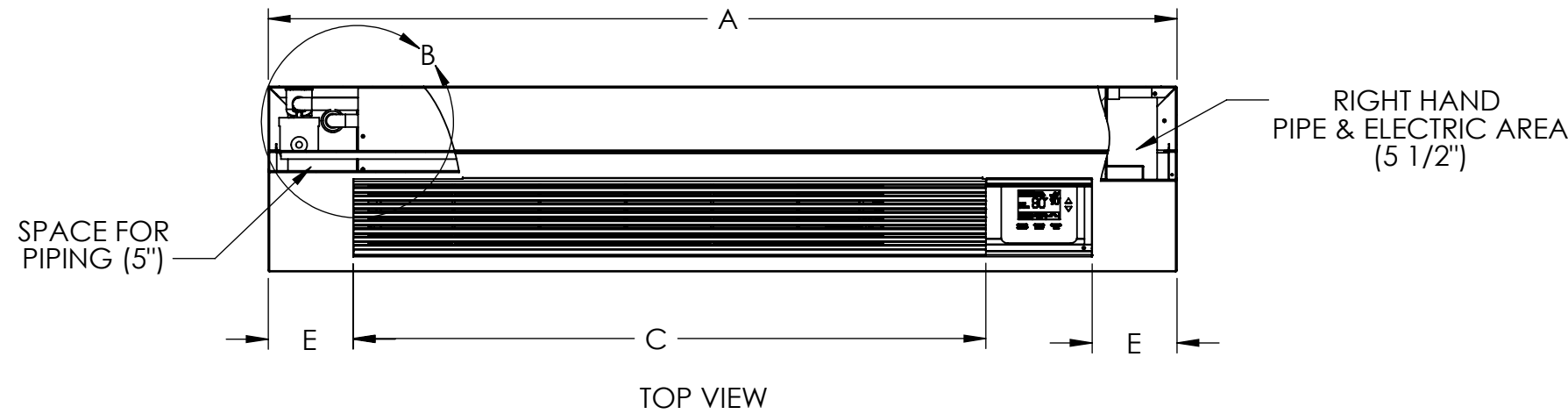


REVISIONS			
REV.	DESCRIPTION	BY	DATE
A			6/29/2009



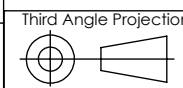
OPTIONS.

1. MOTORIZED VALVE.
2. FLOW CONTROL VALVE.
3. MOTORIZED OUTSIDE AIR DAMPER.
4. DISCONNECT SWITCH.

NOTES.

1. DIMENSIONS ARE SHOWN IN INCHES (ALL DIMENSIONS ARE $\pm 1/4$ ").
2. UNITS SHIPPED WITH UNIVERSAL LEFT HAND OF RIGHT HAND PIPING CAPABILITY.
3. STANDARD ELECTRIC CONNECTION ON RIGHT HAND SIDE.
4. 1/2" NPT 14 MALE THREAD STANDARD ON SUPPLY & RETURN.
5. LEFT HAND PIPING SHOWN (RIGHT HAND OPPOSITE).
6. CONTROL ACCESS DOOR ON RIGHT SIDE.

	A	B	C	D	E
5HPW09-ZS	46"	22"	29 1/2"	45"	5"
5HPW13-ZS	46"	22"	29 1/2"	45"	5"
8HPW13-ZS	46"	22"	29 1/2"	45"	5"
8HPW16-ZS	54"	30"	37 1/2"	53"	5"
8HPW18-ZS	54"	30"	37 1/2"	53"	5"



PROPRIETARY AND CONFIDENTIAL
 This drawing is the intellectual property of Ice Air, LLC and consists of confidential data belonging solely to Ice Air, LLC. The sharing of this data with you does not constitute a license to share this data with any third party, which is strictly prohibited without Ice Air's prior written consent.

MATERIAL:	ICE-AIR LLC. 80 HARTFORD AVENUE MOUNT VERNON, NY 10553		
WEIGHT (LBS): 93.37			
FINISH: N/A	TITLE: CONSOLE WATER SOURCE HEAT PUMP WITH SLOPE SUBMITTAL DRAWING		
UNLESS OTHERWISE SPECIFIED: DIMENSIONS ARE IN INCHES TOLERANCES: FRACTIONAL $\pm 1/32$ ANGULAR: MACH \pm ° BEND ± 1 ° TWO PLACE DECIMAL $\pm .03$ THREE PLACE DECIMAL $\pm .015$	MODEL BY: VP	DATE: 06/25/09	DWG. NO. SAB-8301-02 MOD
	DRAWING BY:	DATE:	
SIZE B	SCALE: NONE DO NOT SCALE DRAWING	SHEET 3 OF 3	REV G