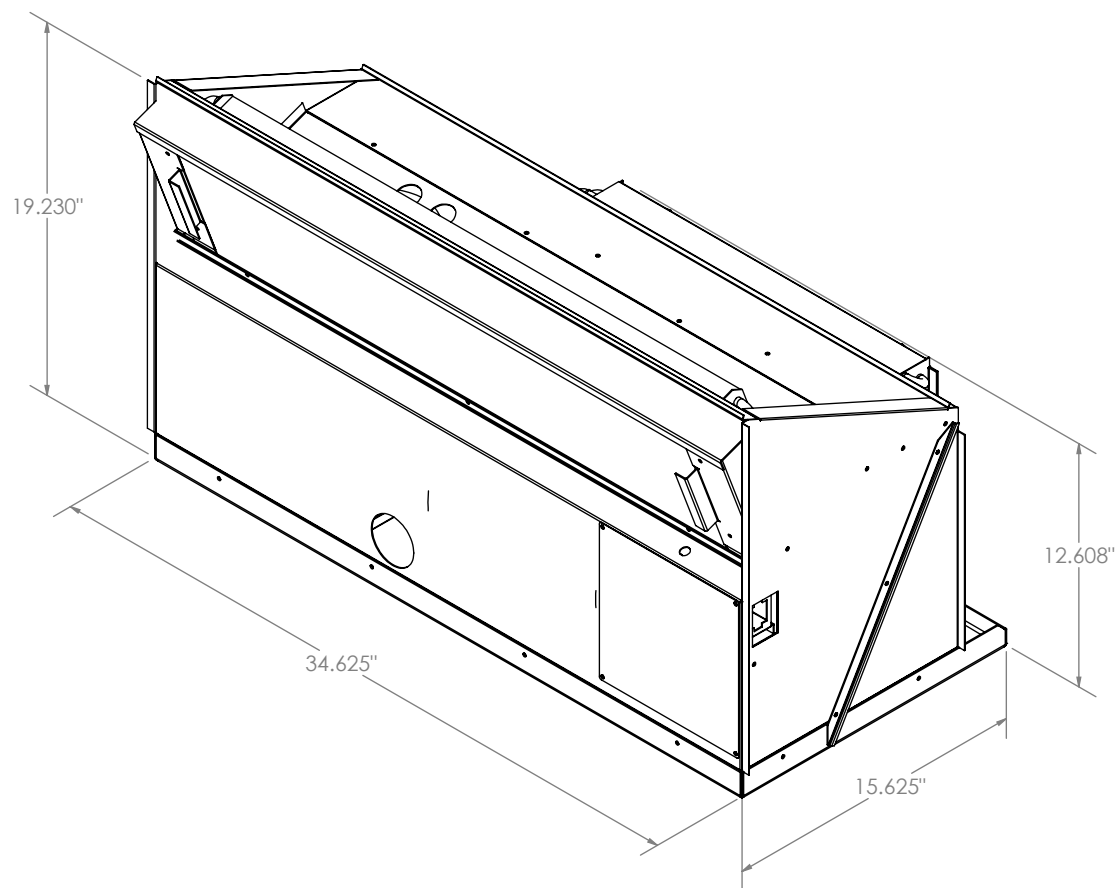


REVISIONS			
REV.	DESCRIPTION	BY	DATE



MATERIAL:	ICE-AIR LLC. 80 HARTFORD AVENUE MOUNT VERNON, NY 10553		
WEIGHT (LBS): 108.84			
FINISH: N/A	TITLE: RSMK DIMENSIONAL DWG		
UNLESS OTHERWISE SPECIFIED: DIMENSIONS ARE IN INCHES TOLERANCES: FRACTIONAL $\pm 1/32$ ANGULAR: MACH $\pm \text{ }^\circ$ BEND $\pm 1^\circ$ TWO PLACE DECIMAL $\pm .03$ THREE PLACE DECIMAL $\pm .015$	MODEL BY: VP	DATE: 12/05/08	DWG. NO.
	DRAWING BY: -	DATE: -	SAB-8164
PROPRIETARY AND CONFIDENTIAL This drawing is the intellectual property of Ice Air, LLC and consists of confidential data belonging solely to Ice Air, LLC. The sharing of this data with you does not constitute a license to share this data with any third party, which is strictly prohibited without Ice Air's prior written consent.	SIZE A	SCALE: NONE DO NOT SCALE DRAWING	SHEET 1 OF 1
			REV B

