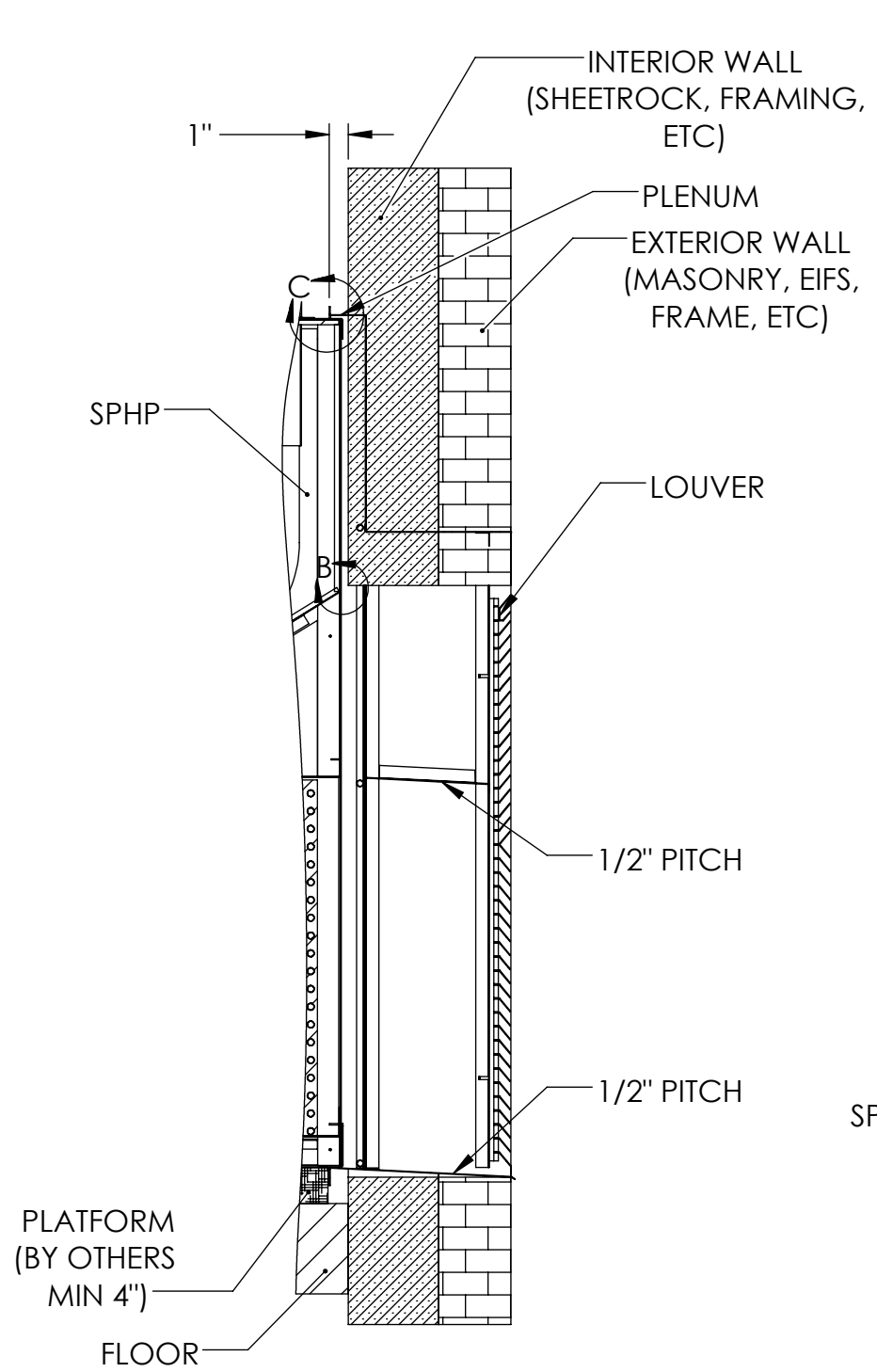
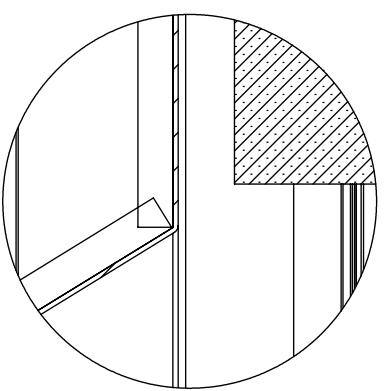


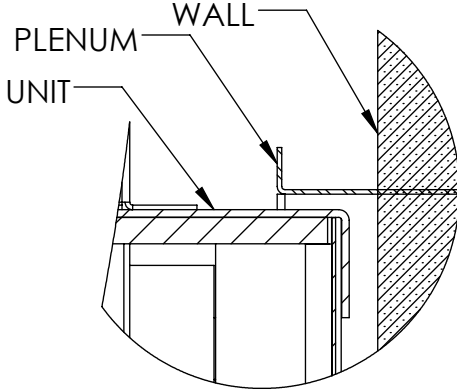
REVISIONS			
REV.	DESCRIPTION	BY	DATE



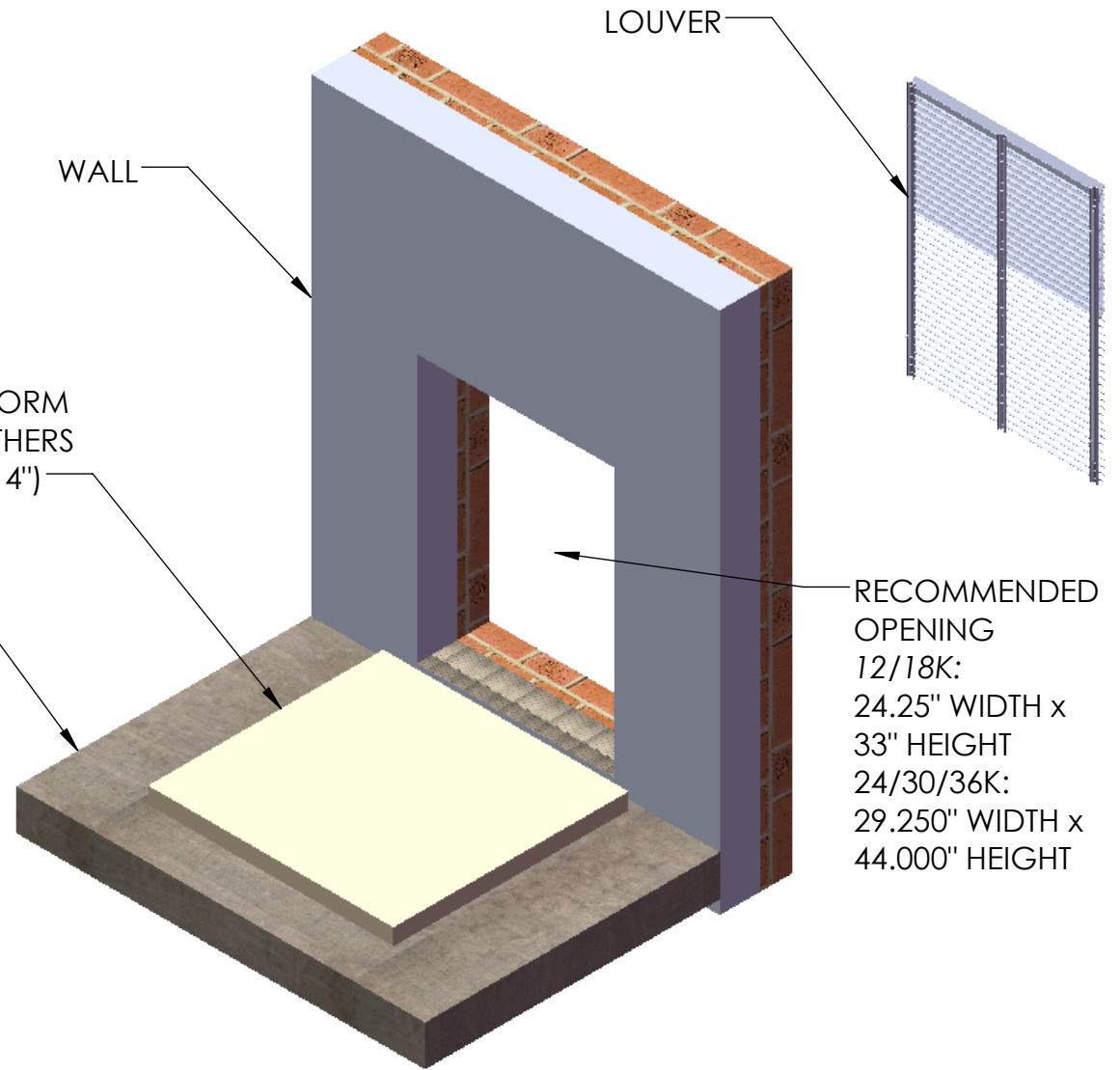
SECTION A-A
SCALE 1 : 10



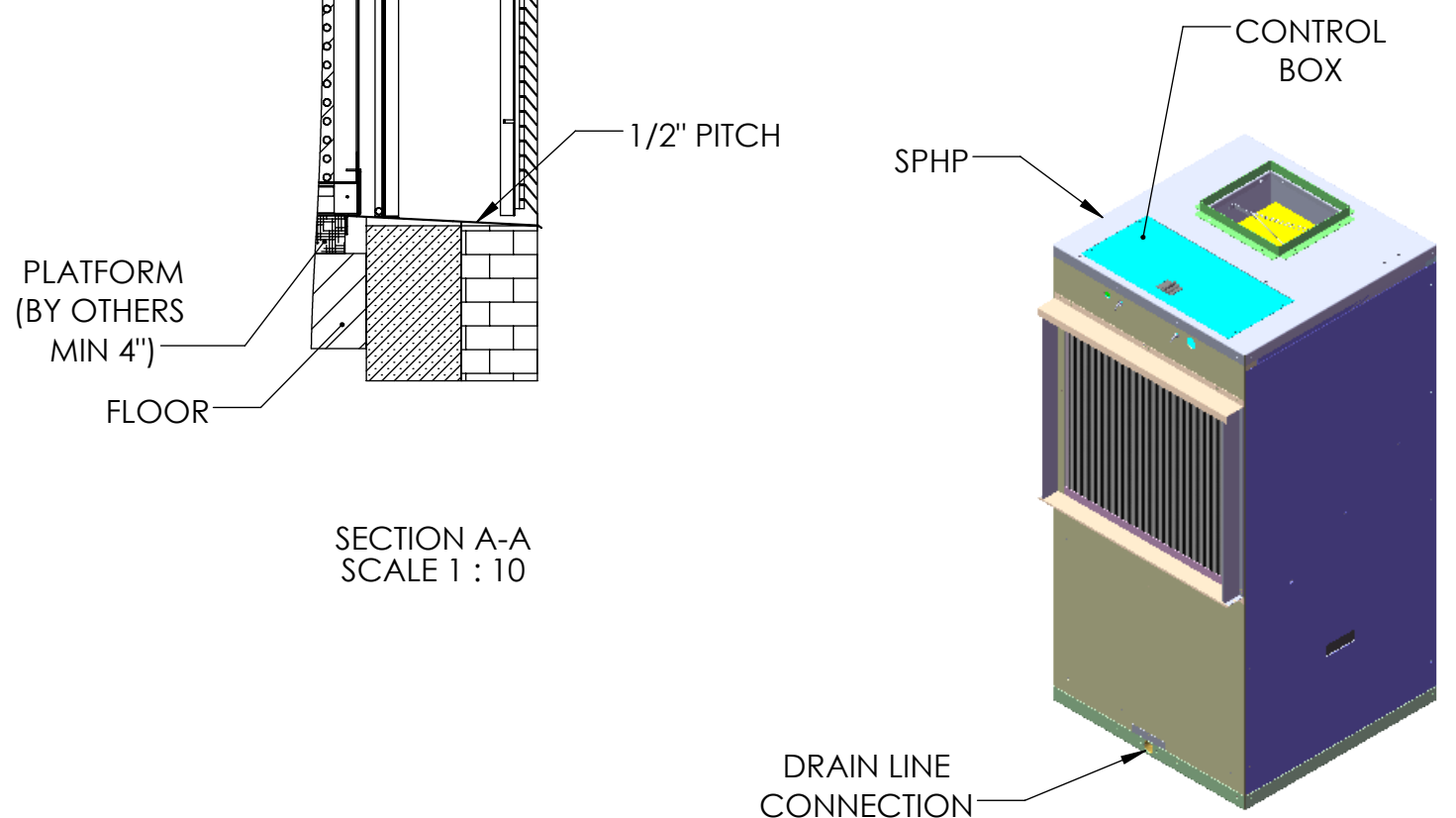
DETAIL B
SCALE 1 : 1.5



DETAIL C
SCALE 1 : 2



RECOMMENDED OPENING
12/18K:
24.25" WIDTH x
33" HEIGHT
24/30/36K:
29.250" WIDTH x
44.000" HEIGHT



DRAIN LINE CONNECTION

NOTE.
LOUVER CAN BE INSTALLED AFTER WALL SLEEVE.

MATERIAL:	ICE-AIR LLC. 80 HARTFORD AVENUE MOUNT VERNON, NY 10553		
WEIGHT (LBS): 1423.40			
FINISH: N/A	TITLE: SPHP NEW DESIGN STRAIGHT UNIT LAYOUT FOR THRU WALL SLEEVE		
UNLESS OTHERWISE SPECIFIED: DIMENSIONS ARE IN INCHES TOLERANCES: FRACTIONAL ± 1/32 ANGULAR: MACH ± ° BEND ± 1° TWO PLACE DECIMAL ± .03 THREE PLACE DECIMAL ± .015	MODEL BY: VP	DATE: 06/20/19	DWG. NO.
	DRAWING BY: -	DATE: -	CH UNIT
SIZE B	SCALE: NONE DO NOT SCALE DRAWING	SHEET 1 OF 1	REV

PROPRIETARY AND CONFIDENTIAL
 This drawing is the intellectual property of Ice Air, LLC and consists of confidential data belonging solely to Ice Air, LLC. The sharing of this data with you does not constitute a license to share this data with any third party, which is strictly prohibited without Ice Air's prior written consent.

