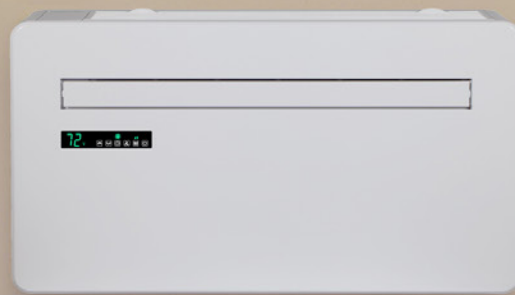




ICE AIR
All Climate Comfort™

**All Climate Comfort™
never looked so good.**



iCoolXC[™]
ALL CLIMATE COMFORT™

Wall Mounted Air Source Heat Pump

iCool XC



Performance redefined, with up to 25% greater efficiency. The iCool XC™ doesn't just cool or heat. This is **All Electric, All Climate Comfort™ with Zero Emissions.** Engineered with advanced heat pump and inverter technology, it's designed to provide durable value over any competitor in its class.



The iCool XC Series complies with the NEEP Cold Climate Air Source Heat Pump (ccASHP) efficiency requirements. The Northeast Energy Efficiency Partnerships (NEEP) product listing identifies products best suited to electrify heating in cold climates.

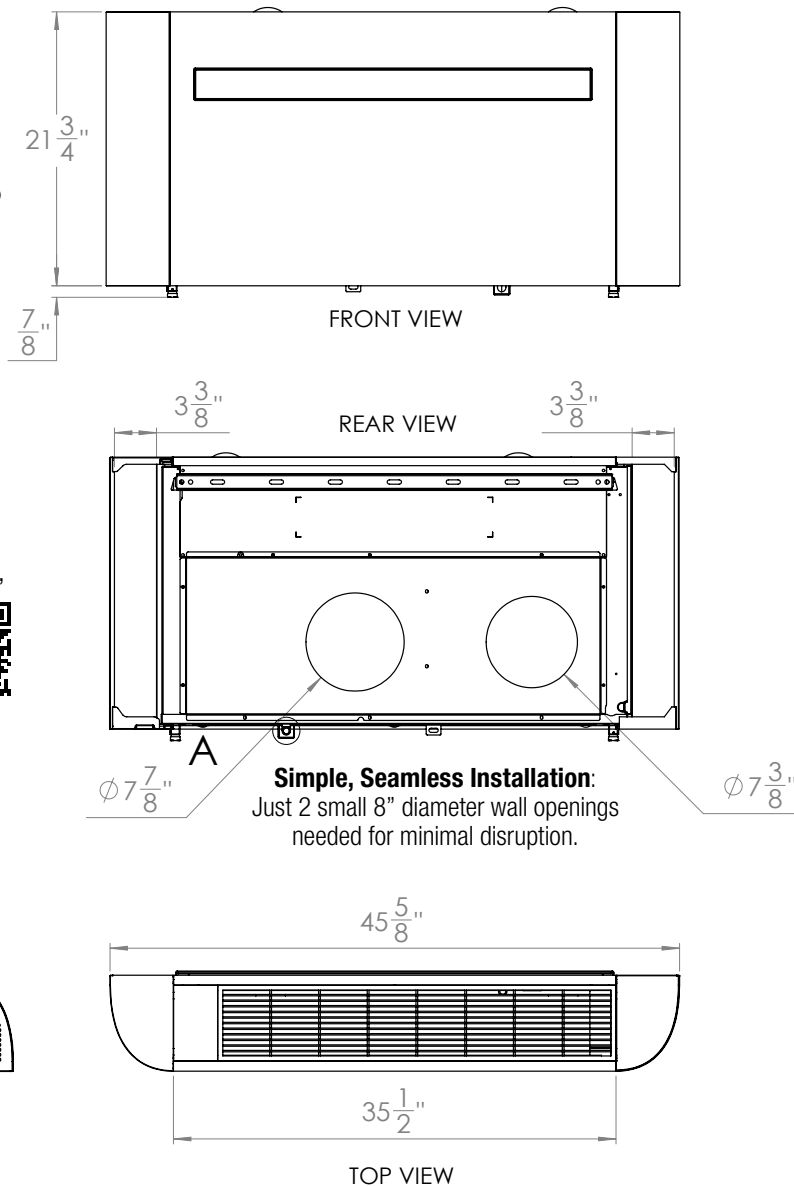


The iCool XC Series produce superior energy savings, which is especially important to satisfy the NYC Law 97 and other laws throughout the U.S., as well as helping projects comply with green building rating systems such as LEED®.



Rebates, incentives, and tax credits may be available through state, federal, and local utility programs.

For additional information scan the code or visit: ice-air.com/rebates/



Simple, Seamless Installation:
 Just 2 small 8" diameter wall openings needed for minimal disruption.

Due to Ice Air's ongoing product development programs, the information in this document is subject to change without notice.

SERIES MODEL #	8RSXC09-DH
Cooling Capacity ² (BTU/h)	7,700
Cooling Capacity Range (BTU/h)	3,000 - 15,000
SEER ²	16.4
Heating Capacity ² (BTU/h)	7,600
Heating Capacity Range (BTU/h)	3,000 - 16,000
HSPF ^{2 3}	8.2
Electric Heater (W)	1,000
Electric Heater (A)	4.8
Voltage	208
Current in Cooling Operation (A)	3.4
Power in Cooling Operation (W)	703
Current in Heating Operation (A)	3.2
Power in Heating Operation (W)	670
MCA	14.6
MOCP	15
Airflow (CFM)	310
Outside Air ¹ (CFM) (Optional)	40
Weight (Lbs)	84
LOW AMBIENT PERFORMANCE	
Heating Capacity @ 22°F	6,600 + 3,400 Electric Heat
COP @ 22°F	2.44
Heating Capacity @ 13°F	6,100 + 3,400 Electric Heat
COP @ 13°F	2.00
Heating Capacity @ 5°F	5,600 + 3,400 Electric Heat
COP @ 5°F	1.79

SPECIFICATION NOTES:

1. Performance data according to CAC AHRI 210/240 standard.
2. Rated performances in cooling mode @ 80°F/67°F DB/WB Indoors and 95°F/75°F DB/WB Ambient
3. Rated performances in heating mode @ 70°F/60°F DB/WB Indoors and 47°F/43°F DB/WB Ambient
4. Performance data based on R32 green refrigerant.
5. Electric Heater to run with heat pump when temperature falls below 23°F.
6. Specify Style A or Style B when ordering.

Compact, Sleek, and Unstoppable: At just 45.63" W x 7.75"D x 21.75"W, the compact size and sleek design of the iCool XC™ delivers optimal comfort, and it meets a wide range of construction, climate and design requirements. The iCool XC™ blends with any interior style or decor.

All Electric, All Climate Comfort™ with Zero Emissions

On-demand Operation: Variable speed compressors modulate output based on room demand.

Compact Design: Sleek, modern footprint blends seamlessly with any décor. Slim 7.75 inch depth.

Steel, not plastic, for a lasting impression: Chassis is concealed by a steel enclosure with a beautiful designer grade baked powder coat finish.

Enhanced Control Options: 4 function: Heat, Cool, Dehumidify and Fan comes standard with Habitat Wireless Thermostat with smart control capabilities.*

Features:

- Sustainable R32 refrigerant
- Industry leading up to 25% greater efficiency
- Low noise operation with whisper quiet sound proofing
- Conceals plug and power cord within unit
- Just two 8 inch round wall openings needed for easy installation
- Wireless app control and 24-hour timer

* Smart app module must be purchased separately.



Electrified Product Family



* By making energy-saving upgrades today, you can give your building a head start on upcoming changes to city regulations such as NYC Law 97.

RSXC Series*

Cold Climate PTHPs give you the performance of a VRF system with the convenience of a PTAC. Using breakthrough cold climate technology allows Ice Air PTHPs to efficiently provide space heating down to -5°F and below.



iCool XC*

iCool XC heat pumps are compact, with advanced, two-stage dual heating capabilities (partial cold climate operation down to 23°F then supplemental electric heat resistance for increased output).



SPXC Series*

Cold Climate SPHPs are self-contained, concealed, ducted systems. This line of vertical packaged heat pumps serves multiple spaces through concealed ductwork to efficiently provide space heating to -5°F and below.



HPWH Series*

Air-Source Cold Climate Heat Pump Water Heaters capture the free energy in the environment and convert it to hot water. These units are certified to operate down to -13°F.



HPWH-SC Series*

Air-Source Cold Climate heat pump chiller heaters capture free energy in the environment to provide both hot and chilled water. These units are certified to operate down to -13°F.



VSHPGE Geothermal*

Ice Air's Geothermal WSHP is a versatile geothermal heat pump that is available in a range of sizes and configurations for convenient installation. Fully compatible with geothermal conditions, it provides an ideal solution for whisper quiet cooling and heating within a tight footprint.



Habitat Smart Technologies



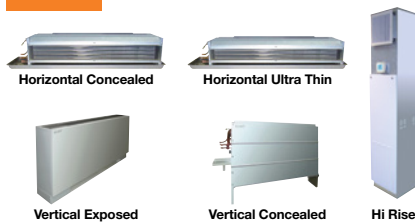
The Habitat Thermostat's unique wireless mesh technology allows smart temperature control over the space it is monitoring. Transform a Fan Coil Unit into a state-of-the-art heating and cooling unit without opening walls to run wires.

Compatible with Nexus Home Automation Products **nexus** Equipment Management System™

Other Products

FCU

Fan Coil Units



This simple and easy cooling and heating solution provides reliable performance, high efficiency, ease of operation, low cost, easy installation, quiet comfort and a variety of solution-based options.

HWCAC

Hybrid Water-Cooled Air Conditioners



HWCACs provide hydronic heat without using the unit's compressor through an innovative system that combines high-efficiency cooling with a hot water coil.

WSHP

Water Source Heat Pumps



WSHPs provide efficient room-by-room comfort. Units function independently and are piped to a central water loop.

PTAC

Packaged Terminal Air Conditioners

PTACs are designed for ultra-high efficiency and comply with LEED® criteria in a durable, user-friendly package. Available for new construction, retrofit and ExactFit™ replacement applications.



NEW! Ice Air CEU Webinar

Learn more about the role HVAC electrification plays in building decarbonization today at iceairceu.com