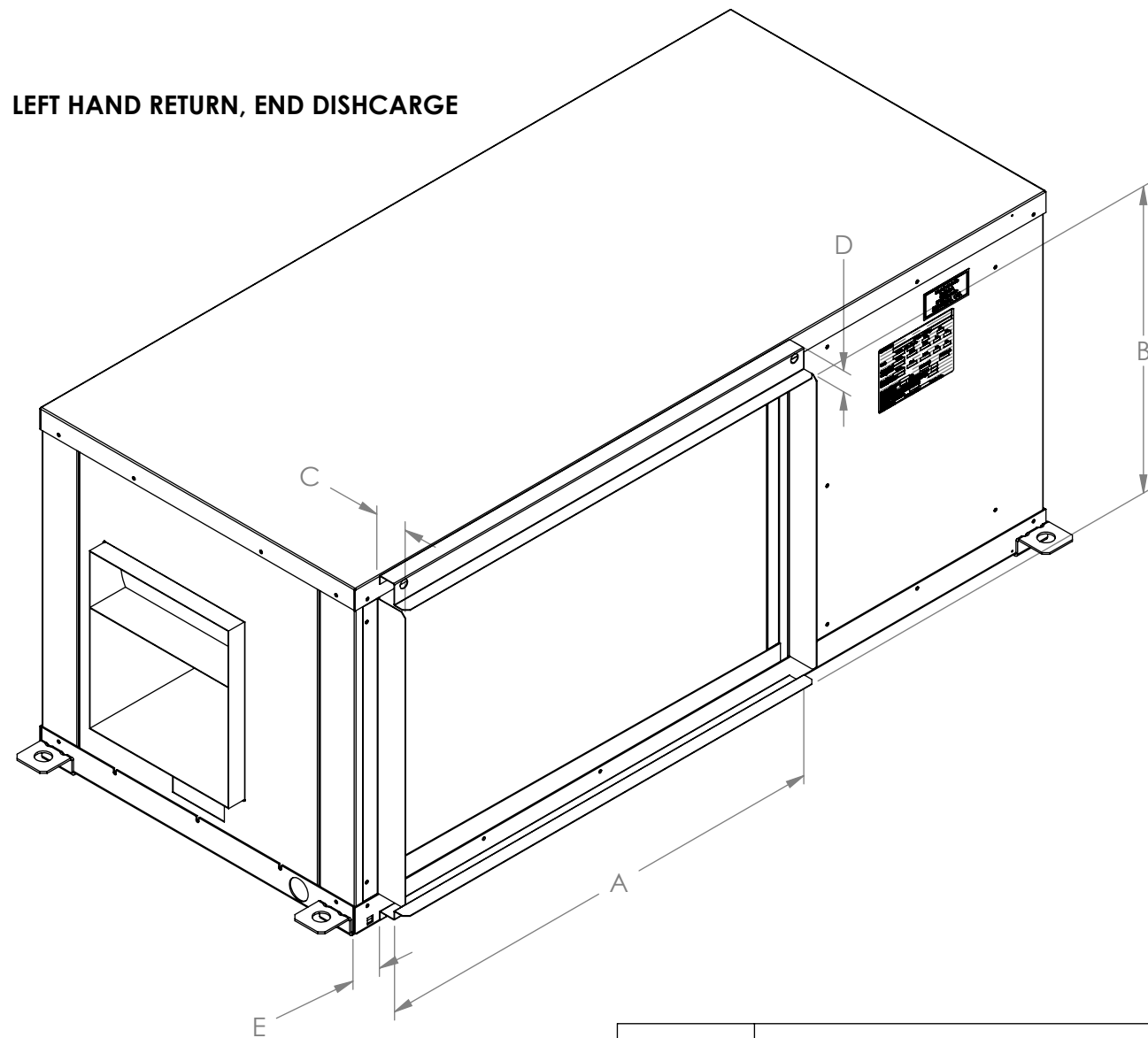
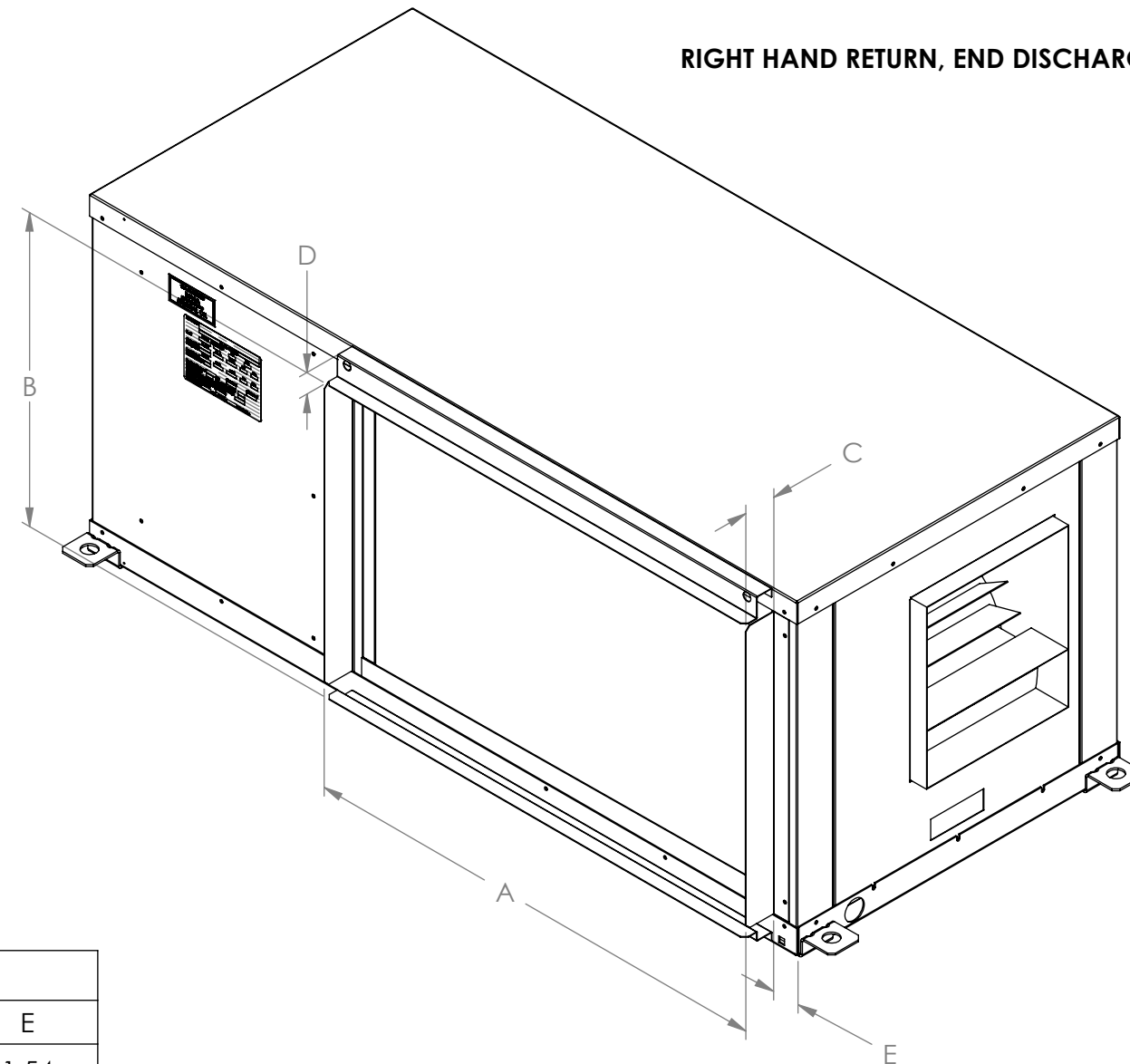


REVISIONS			
REV.	DESCRIPTION	BY	DATE
01			9/14/2010
02			6/22/2011

LEFT HAND RETURN, END DISCHARGE



RIGHT HAND RETURN, END DISCHARGE

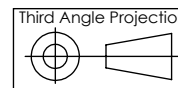


UNIT SIZE	DIMENSIONS (INCHES)				
	A	B	C	D	E
07,09,12	21.41	9.12	1.83	1.20	1.54
15,18	25.42	16.68	1.83	1.20	1.54
24, 30	25.42	16.68	1.83	1.20	1.54
36, 42	27.42	17.68	1.83	1.20	1.54
48,60,70	44.408	20.68	1.83	1.20	1.54

NOTE.
FILTER RACK/RETURN AIR DUCT COLLAR.

MATERIAL:	ICE-AIR LLC. 80 HARTFORD AVENUE MOUNT VERNON, NY 10553		
WEIGHT (LBS): 113.11			
FINISH: N/A	TITLE: HORIZONTAL WATER SOURCE HEAT PUMP SUBMITTAL DRAWING		
UNLESS OTHERWISE SPECIFIED: DIMENSIONS ARE IN INCHES TOLERANCES: FRACTIONAL ± 1/32 ANGULAR: MACH ± ° BEND ± 1° TWO PLACE DECIMAL ± .03 THREE PLACE DECIMAL ± .015	MODEL BY: VP	DATE: 07/15/10	DWG. NO.
	DRAWING BY: -	DATE: -	SUB-8610
SIZE B	SCALE: NONE DO NOT SCALE DRAWING	SHEET 1 OF 3	REV 02

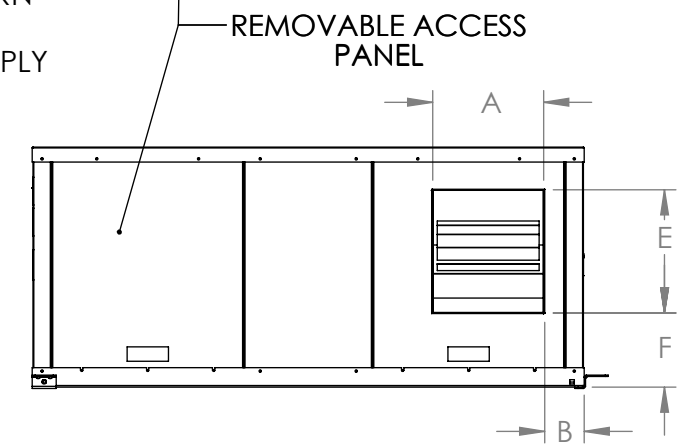
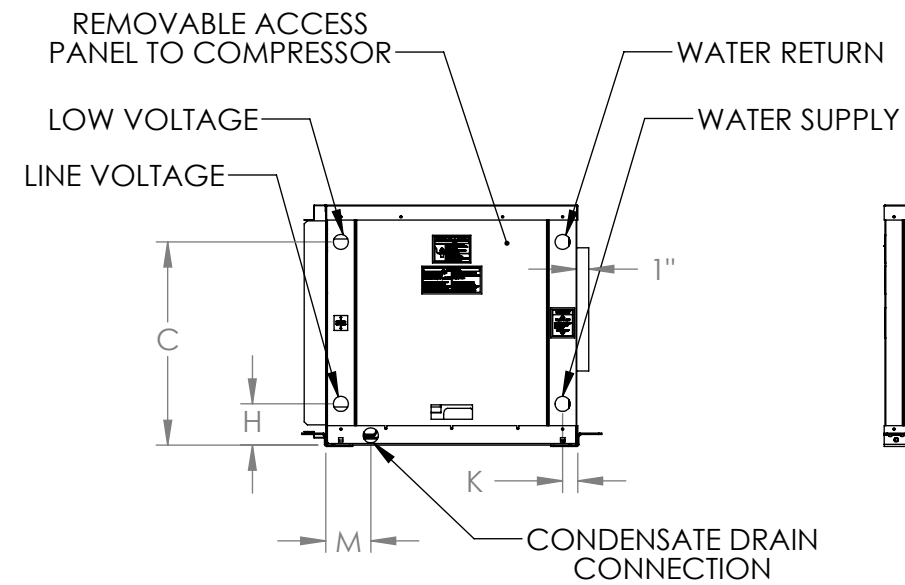
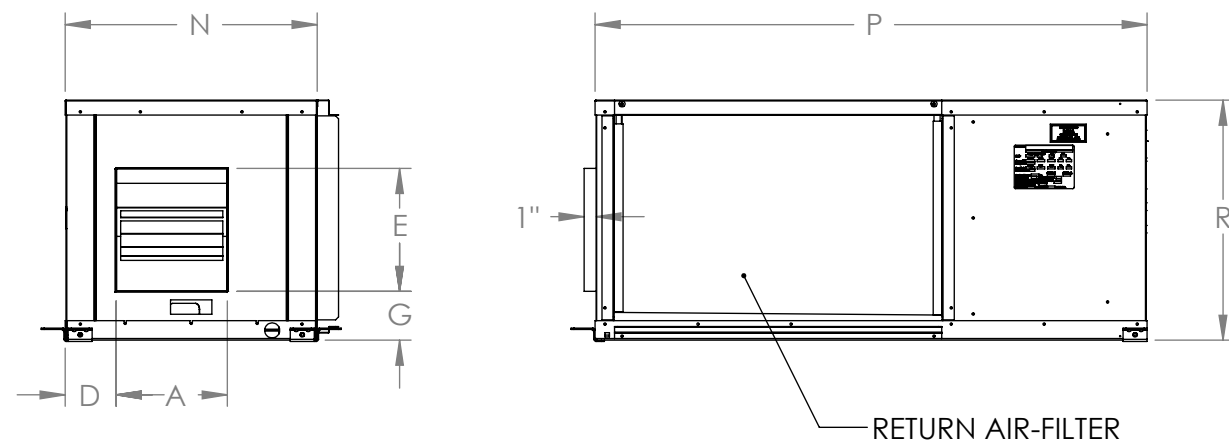
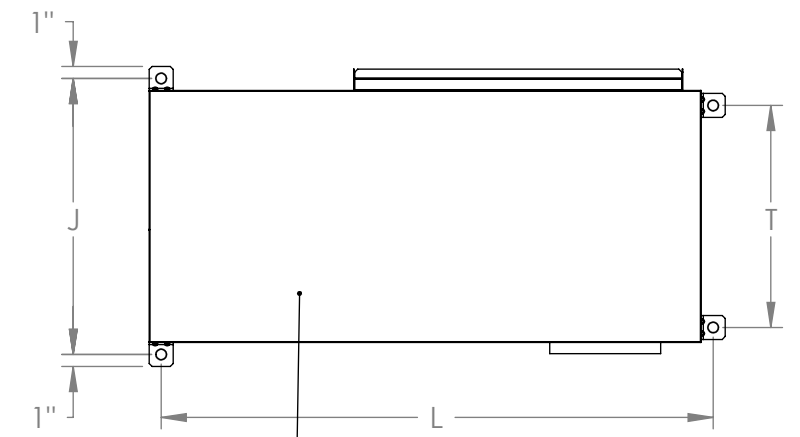
PROPRIETARY AND CONFIDENTIAL
 This drawing is the intellectual property of Ice Air, LLC and consists of confidential data belonging solely to Ice Air, LLC. The sharing of this data with you does not constitute a license to share this data with any third party, which is strictly prohibited without Ice Air's prior written consent.



DIMENSIONAL DATA: END AND STRAIGHT DISCHARGE

PHYSICAL DATE

UNIT SIZE	07,09,12	15,18	24, 30	36, 42	48,60,70
OVERALL UNIT DIMENSIONS	20"Wx34"Lx11.50"H	20"Wx42"Lx17"H	20"Wx42"Lx18 1/4"H	21"Wx46"Lx20"H	28"Wx52"Lx23"H
WATER CONNECTIONS, FPT	1/2	1/2	3/4	3/4	3/4
CONDENSATE CONNECTION, FPT	3/4	3/4	3/4	3/4	3/4



STRAIGHT DISCHARGE VIEW

END DISCHARGE VIEW

DIMENSIONAL DATA (IN INCHES)

UNIT SIZE	DIMENSIONS															
	A	B	C	D	E	F	G	H	J	K	L	M	N	P	R	T
07,09,12	9.6	2.9	8.5	3.7	4.8	1.8	5.0	3.5	22	1.3	34	3.8	20	34	12.0	17.5
15,18	9.3	3.0	14.0	4.0	7.0	7.9	2.0	3.5	22	1.3	42	3.8	20	42	17	17.5
24,30	9.3	3.0	15.2	4.0	7.0	8.9	2.3	3.5	22	1.3	42	3.8	20	42	18.25	17.5
36,42	9.3	3.3	17.0	4.3	10.3	6.2	4.0	3.5	23	1.3	46	3.8	21	46	21	18.5
48,60,70	14.7	4.9	20.0	5.8	13.5	8.0	2.0	3.5	30	1.3	52	3.8	28	52	23	25.5

NOTE.

1. RIGHT AND LEFT HAND RETURN DETERMINED BY FACING THE WATER CONNECTION SIDE OF THE UNIT.
2. BLOWER HOUSING ASSEMBLY CONVERTS FROM STRAIGHT DISCHARGE TO END DISCHARGE.
3. DIMENSIONS ARE APPROXIMATE.
4. LEFT HAND RETURN SHOWN. RIGHT HAND RETURN OPTIONAL.

MATERIAL:

WEIGHT (LBS):
113.11

FINISH:
N/A

UNLESS OTHERWISE SPECIFIED:
DIMENSIONS ARE IN INCHES
TOLERANCES:
FRACTIONAL ± 1/32
ANGULAR: MACH ± ° BEND ± 1°
TWO PLACE DECIMAL ± .03
THREE PLACE DECIMAL ± .015

ICE-AIR LLC.
80 HARTFORD AVENUE
MOUNT VERNON, NY 10553

TITLE: HORIZONTAL WSHP SUBMITTAL DRAWING
(ST. LOUIS HALL)

MODEL BY: VP
DRAWING BY: -

DATE: 07/15/10
DATE: -

DWG. NO.
SUB-8610 (SL)

SIZE
B

SCALE: NONE
DO NOT SCALE DRAWING

SHEET 3 OF 3

REV
02

PROPRIETARY AND CONFIDENTIAL

This drawing is the intellectual property of Ice Air LLC and consists of confidential data belonging solely to Ice Air LLC. The sharing of this data with you does not constitute a license to share this data with any third party, which is strictly prohibited without Ice Air's prior written consent.

