



## HYBRID WATER-COOLED AIR CONDITIONER

# HWCAC





## ***CONTENTS***

Hybrid Water-Cooled Air Conditioners	3
Console HWCAC	4
Console Dimensions	5
Vertical Stack HWCAC	6
Vertical Stack Dimensions	7
Horizontal HWCAC	8
Horizontal Dimensions	9
Vertical Closet HWCAC	10
Vertical Closet Dimensions	11

## **HYBRID WATER-COOLED AIR CONDITIONERS**

The Hybrid Water-Cooled Air Conditioner (HWCAC) combines high-efficiency cooling with an advanced hot water coil to provide hydronic heat for an entire room without using the unit's compressor.

The high capacity heating coil operates at low Entering Water Temperatures (EWT), between 95°-125°F. These units, when coupled with a high efficiency condensing boiler, provide the most cost-effective and efficient method of space heating for multi-family buildings, lodging, dormitories and similar properties.



### **GREEN FEATURES:**

- Uses a fraction of the energy required for heating and cooling compared to traditional WSHPs and other HVAC systems
- Available in Console, Horizontal, Vertical Closet and Vertical Stack configurations
- Low EWT allows for condensing boiler use
- High environmental efficiency – one of the greenest systems available
- Available with custom piping packages
- Optional EC motors to meet green energy requirements



## CONSOLE HYBRID WATER-COOLED AIR CONDITIONER

ICE AIR's Console Hybrid Water-Cooled Air Conditioner (CHW) offers superior performance, quality manufacturing and heavy duty commercial grade construction. Units provide years of trouble-free operation in commercial, industrial and multi-family buildings. All units function independently and are piped to a central water loop.

### FEATURES:

- Enclosures available in Flat Top or Slope Top configurations
- Enclosure fabricated from furniture grade galvanized steel and finished with designer grade baked powder coating
- Ideal for new construction or replacement applications
- Digital controls
- Factory prepared for full right-hand / left-hand piping capabilities
- Central piping area expedites field layout and piping
- Optional removable chassis
- Full selection of factory-installed piping packages
- Cabinet come in standard colors: Arctic White and Antique White
- Custom colors available



Model Number	Cooling Capacity*	Cooling EER	Heating Capacity** 105°F EWT	Typical CFM
5CHW09	9,800	14.1	12,200	300
5CHW12	13,500	14.5	14,900	350
8CHW13	13,500	14.5	14,900	350
8CHW16	16,500	14.7	17,900	500
8CHW19	19,900	14.8	23,000	500

Specifications subject to change due to ongoing development

\*BTU/H at 80.6°F DB, 66.2°F WB EAT; 86°F EWT

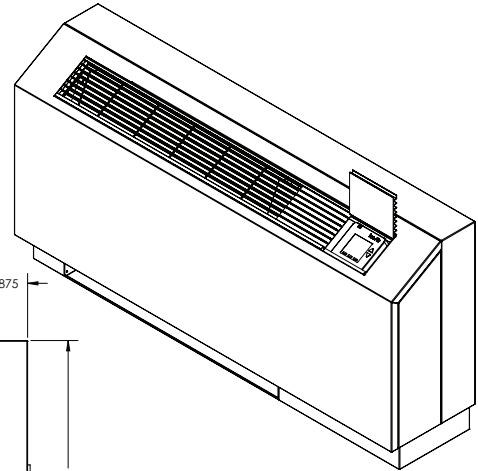
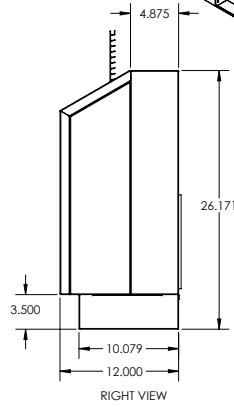
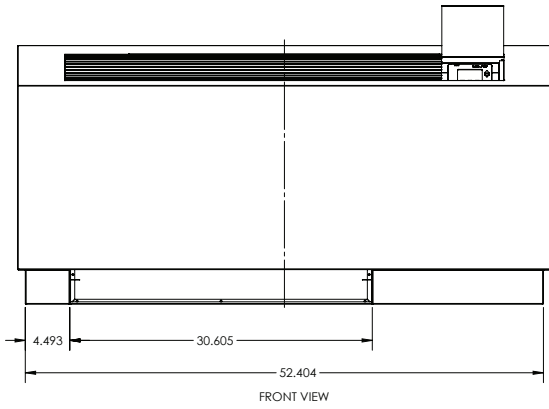
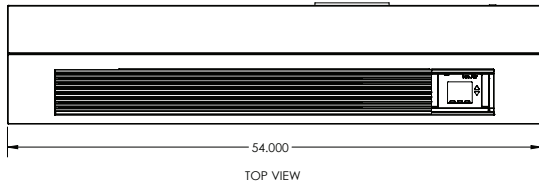
\*\*BTU/H at 68°F DB, 59°F WB EAT; 68°F EWT

Water flow @ 3GPM/Ton

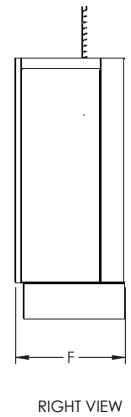
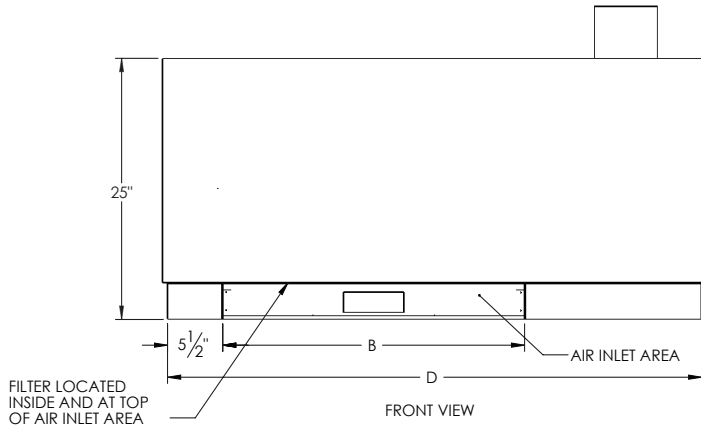
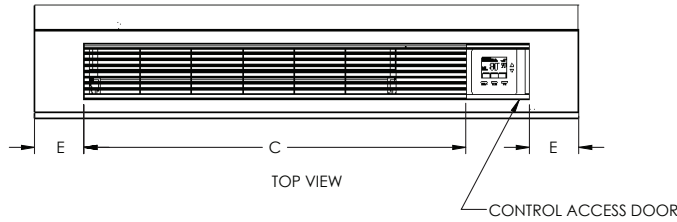
\*Trademarks are the property of their respective owners

# CONSOLE

## SLOPE TOP



## FLAT TOP



	A	B	C	D	E	F
8CHW09	54"	31"	38"	53"	5"	11"
8CHW12	54"	31"	38"	53"	5"	11"
8CHW16	54"	31"	38"	53"	5"	11"

### NOTES.

1. DIMENSIONS ARE SHOWN IN INCHES.
2. ALL DIMENSIONS ARE  $\pm 1/4"$ .
3. UNIT IS SHIPPED WITH BOTTOM/CENTERED PIPING CAPABILITY.
4. OPTIONAL OUTSIDE AIR DOOR SHOWN.
5. SUPPLY AND RETURN PIPES HAVE 1/2" THREADED FEMALE ADAPTER.

## VERTICAL STACK HYBRID WATER-COOLED AIR CONDITIONER

ICE AIR's Vertical Stack Hybrid Water-Cooled Air Conditioner (VSHW) provides an ideal solution for high efficiency, whisper quiet cooling and heating within a tight footprint. With the lowest sound levels and smallest footprints available, our VSHWs offer superior value – efficiently heating and cooling of single or multiple spaces at low installation and operating costs. And, all of our units come equipped with features that others provide as expensive add-on options. Full thermal and acoustical insulation, advanced electronic control interface, high and low pressure protection, and condensate overflow sensors are all standard.



### FEATURES:

- Ideal for condominiums, lodging, educational and institutional properties
- Heavy gauge galvanized stack casings
- Slide-out motor/blower assembly for easy service
- Powder coated decorator front covers (custom colors available)
- Available optional riser and piping packages
- Easy access electrical compartment
- Multiple pipe and air flow knockouts provide maximum flexibility

Model Number	Cooling Capacity*	Cooling EER	Heating Capacity** 105°F EWT	Typical CFM
8VSHW09	9,100	14.1	12,500	14.1
8VSHW12	12,500	14.2	15,100	450
8VSHW15	13,900	14.2	18,100	550
8VSHW18	18,100	14.4	24,300	680
8VSHW24	25,400	14.7	31,300	800
8VSHW30	31,200	14.6	35,400	1,050
8VSHW36	36,500	14.5	40,700	1,250

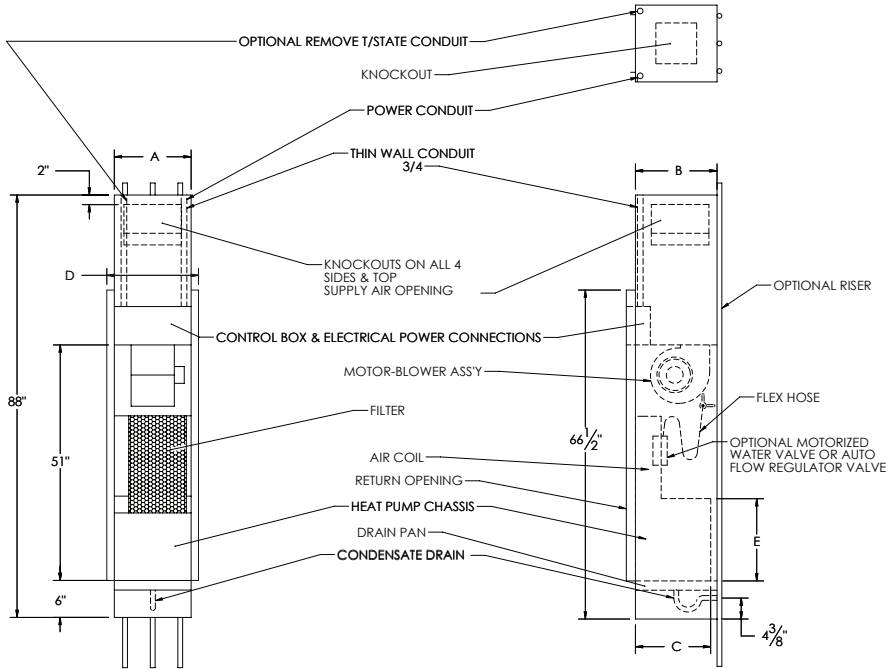
Specifications subject to change due to ongoing development

\*BTU/H at 80.6°F DB, 66.2°F WB EAT; 86°F EWT

\*\*BTU/H at 68°F DB, 59°F WB EAT; 68°F EWT

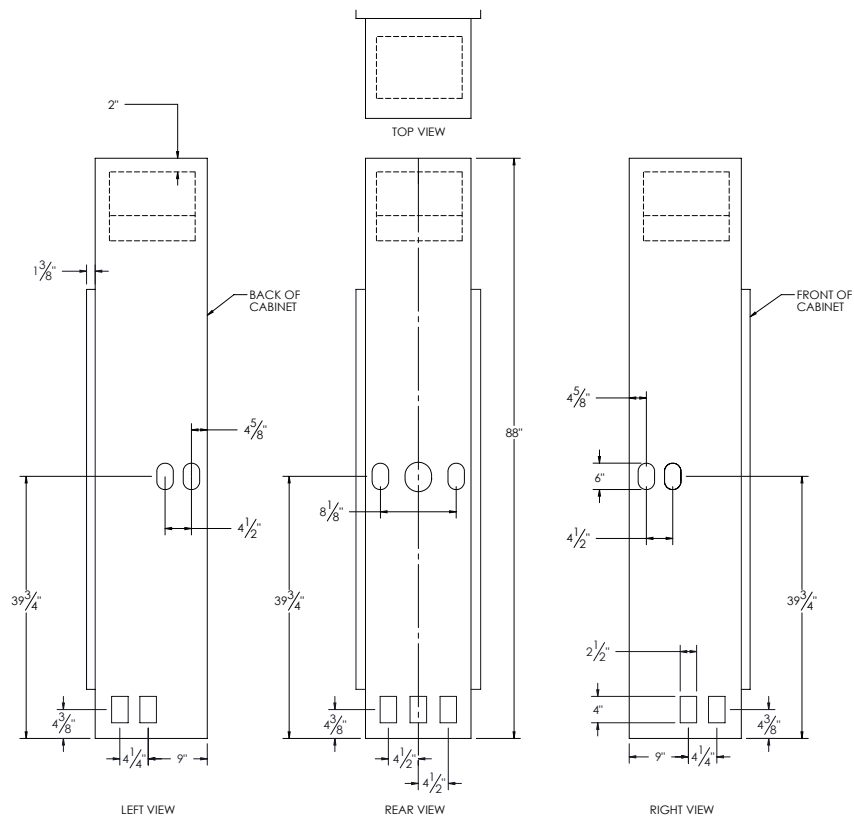
Water flow @ 3GPM/Ton

# VERTICAL STACK



Dimensional Data (in inches)

UNIT SIZE	A	B	C	D	E
VSHPW-09	16	17	15	18 7/8	18
VSHPW-12	16	17	15	18 7/8	18
VSHPW-15	16	17	15	18 7/8	18
VSHPW-18	18	20	18	20 7/8	19
VSHPW-24	18	20	18	20 7/8	19
VSHPW-30	22	24	22	24 7/8	20
VSHPW-36	22	24	22	24 7/8	20



## HORIZONTAL HYBRID WATER-COOLED AIR CONDITIONER

Conserve space with ICE AIR's Horizontal Hybrid Water-Cooled Air Conditioners (HHW). Their low profile design ensures that they take up as little space as possible and provide superior energy efficiency. These units are installed inside the ceiling and are completely concealed.

Flexible control options, variable air discharge outlets, and easy service access provide superior design and installation options. High efficiency fan motors provide low operating costs and reduced energy consumption. Units have insulated cabinet panels, durable heavy gauge steel construction and an access panel control box.

### FEATURES:

- Perfect for new construction or replacement projects
- Side or end-discharge can be field changed
- Rotary or scroll compressors
- R-410A Green refrigerant
- 13.0+ EERs
- Advanced programmable controls
- Ultra-quiet



Model Number	Cooling Capacity*	Cooling EER	Heating Capacity** 105°F EWT	Typical CFM
8HHW09	8,500	13.4	9,800	350
8HHW12	11,700	13.5	11,600	400
8HHW15	17,100	13.5	14,000	500
8HHW18	19,700	13.2	16,560	600
8HHW24	25,500	13.5	26,640	800
8HHW30	33,300	13.1	26,800	1,000
8HHW36	37,800	13.5	29,920	1,200

*Specifications subject to change due to ongoing development*

\*BTU/H at 80.6°F DB, 66.2°F WB EAT; 86°F EWT

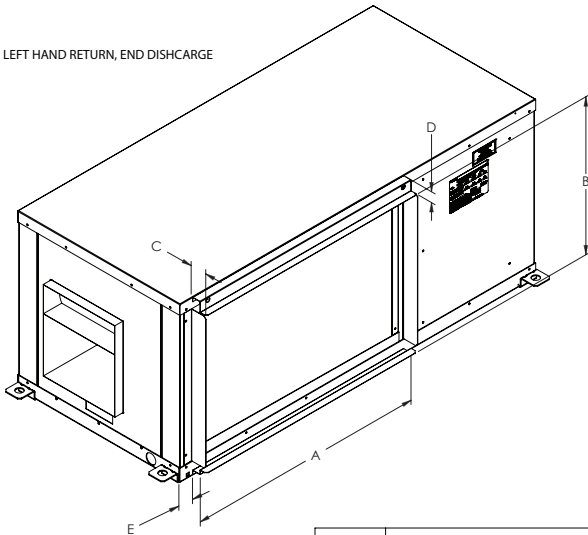
\*\*BTU/H at 68°F DB, 59°F WB EAT; 68°F EWT

Water flow @ 3GPM/Ton

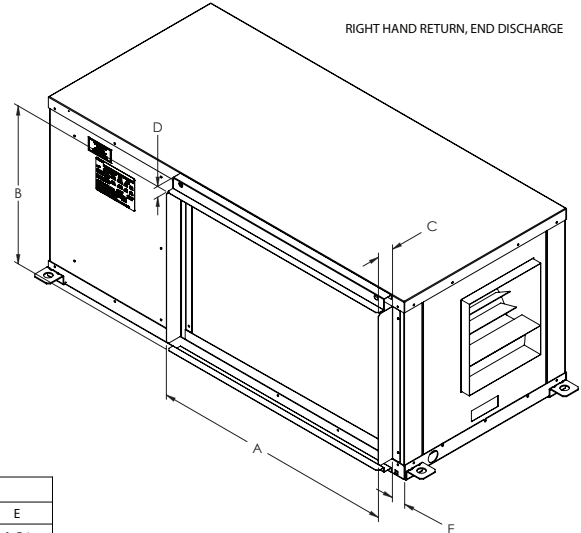


# HORIZONTAL

LEFT HAND RETURN, END DISCHARGE



RIGHT HAND RETURN, END DISCHARGE

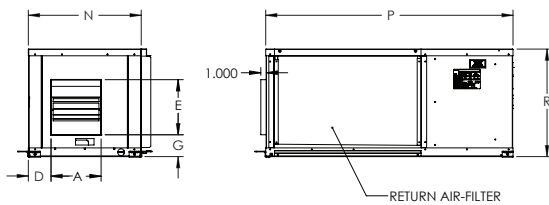
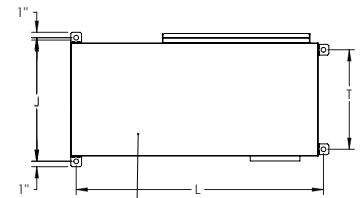


UNIT SIZE	DIMENSIONS (INCHES)				
	A	B	C	D	E
09,12	21.41	9.12	1.83	1.20	1.54
15,19	25.42	16.68	1.83	1.20	1.54
24,30	25.42	16.68	1.83	1.20	1.54
36,42	27.42	17.68	1.83	1.20	1.54
48,60,70	44.408	20.68	1.83	1.20	1.54

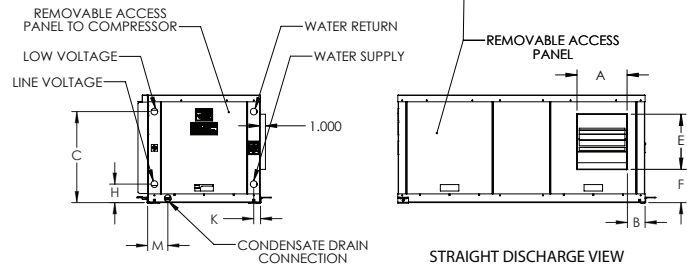
NOTE:  
FILTER RACK/RETURN AIR DUCT COLLAR.

## PHYSICAL DATA

UNIT SIZE	09,12	15,19	24,30	36,42	48,60,70
OVERALL UNIT DIMENSIONS	20"Wx34"Lx11.50"H	20"Wx42"Lx17"H	20"Wx42"Lx18 1/4"H	21"Wx46"Lx20"H	28"Wx52"Lx23"H
WATER CONNECTIONS, FPT	1/2	1/2	3/4	3/4	3/4
CONDENSATE CONNECTION, FPT	3/4	3/4	3/4	3/4	3/4



END DISCHARGE VIEW



STRAIGHT DISCHARGE VIEW

## DIMENSIONAL DATA (IN INCHES)

UNIT SIZE	DIMENSIONS															
	A	B	C	D	E	F	G	H	J	K	L	M	N	P	R	T
09,12	9.6	2.9	8.5	3.7	4.8	1.8	5.0	3.5	22	1.3	34	3.8	20	34	11.5	17.5
15,19	9.3	3.0	14.0	3.3	7.0	7.0	2.0	3.5	22	1.3	42	3.8	20	42	17	17.5
24,30	9.3	3.0	15.2	4.0	7.0	8.9	2.3	3.5	22	1.3	42	3.8	20	42	18.25	17.5
36,42	9.3	3.3	17.0	4.3	10.3	6.2	4.0	3.5	23	1.3	46	3.8	21	46	20	18.5
48,60,70	14.7	4.9	20.0	5.8	13.5	8.0	2.0	3.5	30	1.3	52	3.8	28	52	23	25.5

NOTE:  
1. RIGHT AND LEFT HAND RETURN DETERMINED BY FACING THE WATER CONNECTION SIDE OF THE UNIT.  
2. BLOWER HOUSING ASSEMBLY CONVERTS FROM STRAIGHT DISCHARGE TO END DISCHARGE.  
3. LEFT HAND RETURN SHOWN. RIGHT HAND RETURN OPTIONAL.

## VERTICAL CLOSET HYBRID WATER-COOLED AIR CONDITIONER

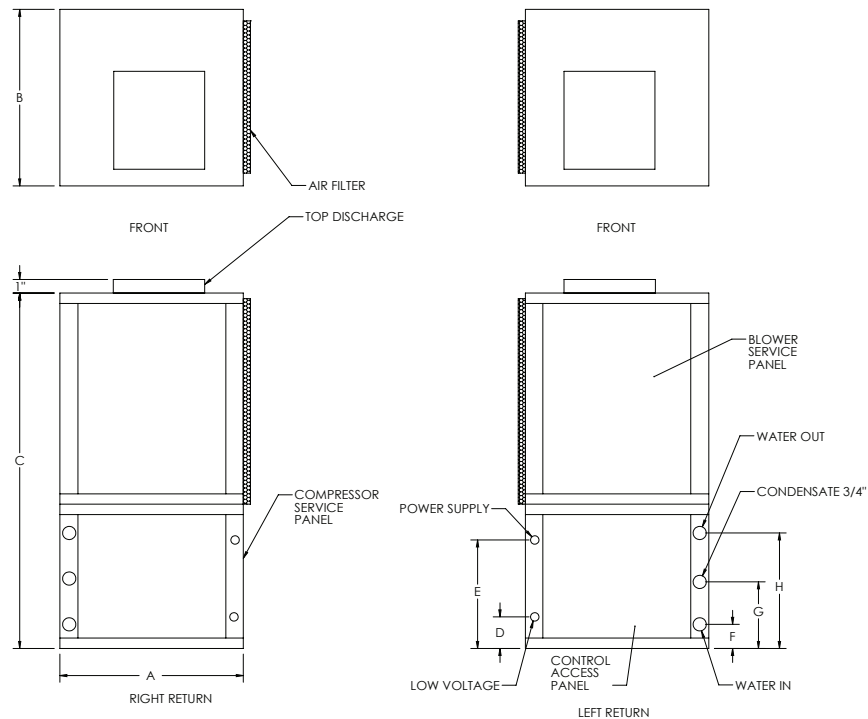
ICE AIR's Vertical Closet Hybrid Water-Cooled Air Conditioners (VCHW) are energy efficient, quiet units that feature high EERs, efficient motors and low-speed fan operation for low operating costs and reduced energy consumption.

VCHWs are ducted units designed to operate within an equipment closet, providing a clean look within rooms as well as optimal installation and maintenance conditions. Units have insulated cabinet panels, durable heavy gauge steel construction and an access panel for control box and refrigerant service valves.



### FEATURES:

- Perfect for new construction or replacement projects
- Rotary or scroll compressors
- R-410A Green refrigerant
- 13.0+ EERs
- Advanced programmable controls available
- Ultra-quiet
- Optional access doors and color-matched grilles available



Dimensional Data (in inches)

UNIT SIZE	A	B	C	D	E	F	G	H
009-012	21.5	22.5	34.5	3.6	11.6	3.1	7.1	11.1
015-019	22.5	25.5	37.5	3.6	12.6	3.1	8.1	13.1
024-030	22.5	26	47.0	3.6	13.6	3.1	8.1	13.1
036	25.0	32.5	50.5	3.6	14.6	3.1	9.1	15.1
042-048	25.0	32.5	54.5	3.6	15.5	3.1	10.1	17.1
060-070	25.0	32.5	58.5	3.6	13.5	3.1	12.1	21.1

## OTHER PRODUCT LINES

### WATER SOURCE HEAT PUMPS

WSHPs offer high efficiency and whisper quiet cooling and heating. With the lowest sound levels and the smallest footprints available, they provide superior value in a concealed location.

#### FULL WSHP LINE:

- Console (Flat and Slope Top)
- Horizontal
- Vertical Stack
- Vertical Closet



### FAN COIL UNITS

A simple and easy cooling and heating solution that fits – providing reliable performance, easy operation, low cost, trouble-free installation, quiet comfort and a variety of customizable options.

#### FULL FCU LINE:

- Horizontal Concealed and Horizontal
- Concealed Ultra-Thin
- Vertical Exposed
- Vertical Concealed

### PACKAGED TERMINAL AIR CONDITIONERS

Ice Air's PTAC units are the highest energy efficient PTACs available. They incorporate LEEDs features in a durable and user-friendly package. Available for new construction and replacement applications.

- Horizontal Concealed and Horizontal
- Concealed Ultra-Thin
- Vertical Exposed
- Vertical Concealed
- Hi Rise





80 Hartford Avenue, Mount Vernon, NY 10553 | Tel: 877-ICE-AIR-1 (877-423-2471) | Fax: 914-668-5643

[www.ice-air.com](http://www.ice-air.com) © 2014 by ICE AIR, LLC | Printed in the U.S.A. ICE6001