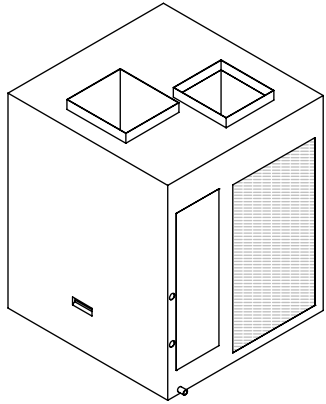


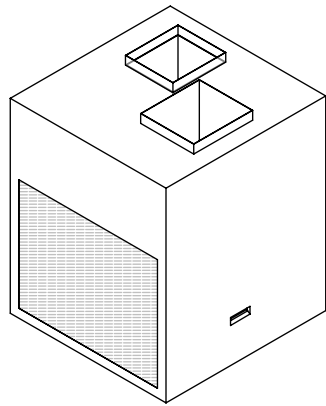
# APA-10430

REVISIONS			
REV.	DESCRIPTION	BY	DATE
A		VP	9/27/2012
B	UNIT NAME CHANGED	VP	4/18/2014

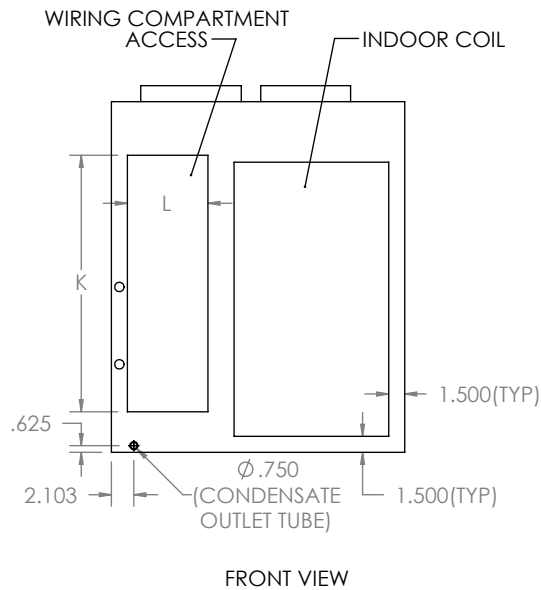
UNIT NAME	A	B	C	D	E	F	G	H	J	K	L	M	N	P
SPHPHV-09														
SPHPHV-12	25.00	26.00	28.38	9.32	8.46	10.29	12.83	17.17	8.46	17.40	7.66	9.32	7.46	2.29
SPHPHV-15														
SPHPHV-18	27.50	28.25	32.88	8.42	9.32	15.30	14.00	18.17	10.38	24.00	7.66	9.42	7.74	2.80
SPHPHV-24														
SPHPHV-30	32.50	32.50	32.88	11.46	10.24	19.01	14.97	16.17	10.47	24.00	7.66	11.89	7.64	1.50
SPHPHV-36														



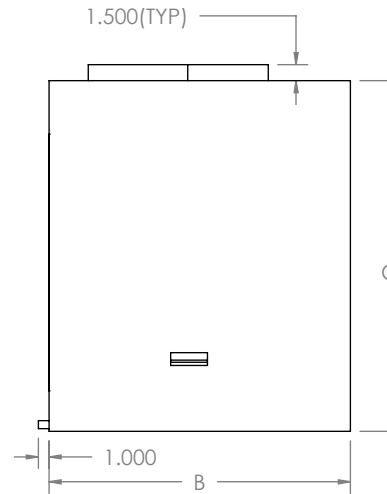
ISOMETRIC VIEW  
(FRONT-LEFT)



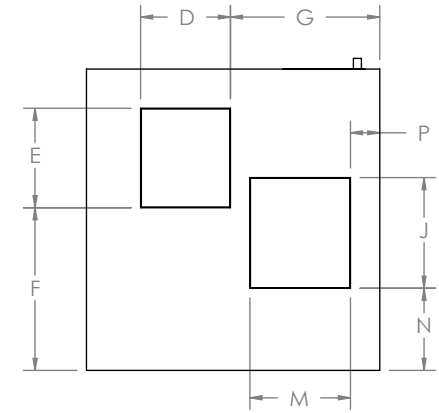
ISOMETRIC VIEW  
(BACK-RIGHT)



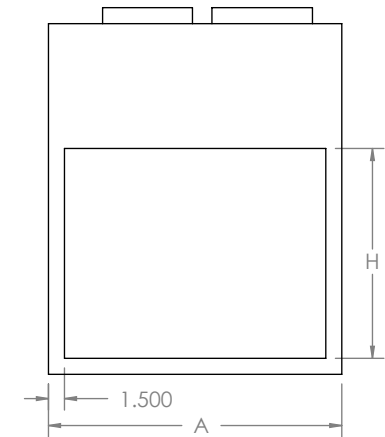
FRONT VIEW



RIGHT VIEW



TOP VIEW



REAR VIEW

MATERIAL:	<b>ICE-AIR LLC.</b> 80 HARTFORD AVENUE MOUNT VERNON, NY 10553		
WEIGHT (LBS):			
FINISH: N/A	TITLE: SINGLE PACKAGED UNIT A/C / HEAT PUMP TOP DISCHARGE (HIGH VELOCITY)		
UNLESS OTHERWISE SPECIFIED: DIMENSIONS ARE IN INCHES TOLERANCES: FRACTIONAL $\pm 1/32$ ANGULAR: MACH $\pm ^\circ$ BEND $\pm 1^\circ$ TWO PLACE DECIMAL $\pm .03$ THREE PLACE DECIMAL $\pm .015$	MODEL BY: VP	DATE: 09/27/12	DWG. NO. <b>APA-10430</b>
	DRAWING BY: -	DATE: -	
	SIZE <b>A</b>	SCALE: NONE DO NOT SCALE DRAWING	SHEET 1 OF 1
			REV <b>B</b>

**PROPRIETARY AND CONFIDENTIAL**  
 This drawing is the intellectual property of Ice Air, LLC and consists of confidential data belonging solely to Ice Air, LLC. The sharing of this data with you does not constitute a license to share this data with any third party, which is strictly prohibited without Ice Air's prior written consent.

