



REPLACEMENT & RETROFIT

PTAC

PACKAGED TERMINAL AIR CONDITIONER



ADVANCED GREEN TECHNOLOGY



CONTENTS

ICE AIR ExactFit™ PTAC Units	1
Product Specifications	2
Performance Specifications	3
Quick Reference Replacement Table	4
ICE AIR ExactFit™ RS16	5
ICE AIR ExactFit™ RS41	5
ICE AIR ExactFit™ RSC	6
ICE AIR ExactFit™ RSCMA/B/C	6
ICE AIR ExactFit™ RSCT	7
ICE AIR ExactFit™ RSCT-JK	7
ICE AIR ExactFit™ RSCT-ZS	8
ICE AIR ExactFit™ RSEA	8
ICE AIR ExactFit™ RSF	9
ICE AIR ExactFit™ RSHM	9
ICE AIR ExactFit™ RSIW	10
ICE AIR ExactFit™ RSK	10
ICE AIR ExactFit™ RSMK	11
ICE AIR ExactFit™ RSNH	11
ICE AIR ExactFit™ RSZ	12
ICE AIR ExactFit™ WL	12
Accessories	13
New Construction	14
Other Products	
Console WSHP	15
Vertical Stack WSHP	15
FCU	16
Stack FCU	16
How Can We Work With You?	17



EXACTFIT™

ICE AIR ExactFit™ PTAC Units

Exact Fit™ Packaged Terminal Air Conditioners (PTACs) are manufactured exclusively by ICE AIR and assure you of an “Exact Fit” replacement for your original thru-wall cooling and heating equipment.

We at ICE AIR provide a complete line of ExactFit PTACs and Heat Pumps (PTHPs) designed to fit into existing OEM wall sleeves and ensure a simple slide-in retrofit for your existing units. We have 40 years of experience in providing superior cooling and heating products, guaranteeing you a highly efficient, top quality replacement unit that will provide many years of quiet, reliable comfort conditioning.

Our units are manufactured to top commercial-grade standards and include heavy-duty galvanized and powder-coated sheet metal casings, UL listed components and full-line safety certification by ETL Laboratories. ICE AIR is a member of USGBC and is committed to protecting our environment and providing energy savings to our customers. We use R410A non-ozone depleting refrigerant throughout all of our product lines.

Over the years, we have provided hundreds of thousands of PTAC units, ensuring that you can specify, purchase and install our ExactFit PTACs with confidence in multifamily residential, hotel, motel, dormitory, nursing home, health care and similar facilities.

ICE AIR ExactFit™ RS Series PTAC units

- Replace all major OEM equipment
- Available for “Quick Ship” programs from stock
- Exceed ASHRAE 90.1 standards
- ETL Listed and tested to ARI standards
- Powder-coated galvanized steel drain pan for corrosion protection
- Simple, slide-in replacement chassis
- No building condensate drain lines required
- Interfaces with new or existing Building Management Systems
- High efficiency compressors and motors
- Dual motors for lower winter energy costs
- Standard four-position mode switch (six-position switches for both RSK & RSCT are also available)
- Optional unit- or wall-mount digital controls
- Permanent, washable aluminum mesh filter
- Available with electric heat, heat pump or hydronic interface options

Call **ICE AIR at 877-ICE-AIR-1 (877-423-2471)** or visit us online at **www.ice-air.com** to learn more about ExactFit PTACs and all ICE AIR replacement and retrofit products and services.

ICE AIR Exact Fit™ REPLACEMENT PTAC- Packaged Terminal Air Conditioners

EQUIPMENT: Provide "RS--" Series Packaged Terminal Air Conditioners (PTAC), as manufactured by ICE AIR, LLC. Units to be an "exact fit" replacement for original equipment, and unit series indicator to indicate proper physical configuration for the required replacement series.

COMPONENTS: Air conditioner to consist of cooling chassis with integral electric heat, heat pump and/or hydronic heat wiring. (Provide optional wall sleeve, exterior louver, heating coil assembly and room enclosure). Units to operate on either 115 volt, 208/230 volt, 265 or 277 volt, single phase, 60 hertz circuits or at 220/240 volt, single phase, 50 hertz circuits, depending on original building wiring.

CHASSIS: Cooling chassis to be a self-contained, slide-in assembly consisting of a sealed refrigerant system, evaporator and condenser sections with two separate PSC motors (single motor units are not acceptable), unit mounted controls (optional remote wall mount) and line cord (junction box for 265/277 volt applications). Provide a permanent, washable aluminum mesh filter with each unit.

REFRIGERATION SYSTEM: Sealed refrigerant system to consist of high efficiency rotary compressor, copper tube/aluminum fin evaporator and condenser coils, refrigeration metering device and interconnecting tubing. System to be factory charged and sealed and capable of operating in the cooling mode to an outdoor ambient temperature of 35°F.

EVAPORATOR SECTION: Evaporator motor and blower wheels to be mounted on a slide-out, easily removable motor board. Blower wheels to be metal double-inlet, forward curved centrifugal type, directly driven by a three-speed PSC motor with built-in automatic reset overload protector. Evaporator section to contain an integral galvanized steel condensate pan lined with an additional molded and powder-coated steel drain pan, draining into two separate minimum 3/4" i.d. PVC drain hoses.

CONDENSER SECTION: Condenser section to contain a separate PSC motor and metal propeller fan with an integral slinger ring. Condenser motor to cycle with compressor and to run during the cooling cycle only.

CONDENSATE DISPOSAL: Condensate to drain from the indoor evaporator pan into a powder-coated exterior galvanized steel condenser base pan (uncoated base pans are not acceptable) through two 3/4" i.d. PVC drain hoses. Condensate disposal to be accomplished by the entrainment of condensate water particles in the condenser air stream and evaporation of the water particles on the hot condenser coil. No building condensate drain lines are to be required.

CHASSIS SHEET METAL: Chassis sheet metal parts to be manufactured entirely of 18 gauge and 20 gauge galvanized steel. Chassis to be manufactured with proper sealing angles, channels or sheet metal configuration to ensure proper mating with the wall sleeve interior flanges and to create a positive weather seal using crushable pressure-sensitive foam tape, thereby preventing air and water infiltration.

UNIT CONTROLS: Standard unit controls to include a four-position mode switch (Off - Heat - Hi Cool - Low Cool) and unit mounted rotary control thermostat. (Provide optional low-temperature control to activate motorized heating control valve below 45°F interior room temperature). Six-position switches for both RSK & RSCT are also available.

(OPTIONAL) DIGITAL TOUCHPAD: Unit controls to include digital touchpad controls with integral mode, fan speed & mode, adjustable temperature settings, one week programmable settings and digital read out.

(OPTIONAL) REMOTE THERMOSTAT: Unit controls to consist of optional wall mount thermostat and chassis mounted control board.

WARRANTY AND CODE COMPLIANCE: Unit to be guaranteed free of defects in material and workmanship for one year from date of delivery. Provide (OPTIONAL) additional 2nd through 5th year compressor parts warranty. Units to be ETL listed for safety in the United States and Canada, to have New York City MEA and BEC approvals, to be in compliance with all local, state and federal energy efficiency and building codes, and to be tested in accordance with current ARI standards.

TYPICAL PERFORMANCE SPECIFICATIONS

ICE AIR Exact Fit™ PTAC Performance Specifications

	MODEL NUMBER									
	5RS_07	5RS_09	5RS_13	8RS_09	8RS_13	8RS_16	8RS_18	7RS_09	7RS_13	7RS_18
Nominal Cooling Capacity (1)	8,100	9,500	12,750	9,700	12,700	15,250	17,250	9,250	12,500	17,000
Cooling EER	11.0	10.5	10.0	10.3	10.0	9.3	9.3	10.5	10.0	9.3
Heating Capacity HW (2)	16,500	16,500	16,500	16,500	16,500	19,400	19,400	16,500	16,500	19,400
Heating Capacity STM (3)	18,700	18,700	18,700	18,700	18,700	20,000	20,000	18,700	18,700	20,000
Electric Heat Capacity (KW)	1.5	1.5	1.5	1.5	3.5/4.3	3.5/4.3	3.5/4.3	1.5	3.5/4.3	3.5/4.3
Voltage	115	115	115	208	208	208	208	277	277	277
Amperage	6.5	7.9	11.0	6.3	6.1	7.9	8.9	3.4	4.8	7.0
Watts	740	900	1270	940	1270	1640	1850	900	1270	1850
CFM Air Hi Cool	370	370	370	370	430	430	480	370	430	480
CFM Air Lo Cool	260	260	260	260	330	330	330	260	330	330
CFM Outside Air	60	60	60	60	60	60	60	60	60	60
CFM Extra Outside Air	110	110	110	110	110	110	110	110	110	110
Weight - Net/Ship	113/129	117/133	124/138	113/129	124/138	132/148	141/157	117/133	124/138	141/157

Notes:

1. Btu/h @ 80°F DB/67°F WB Indoors/95°F DB Outdoors
2. Btu/h @ 200°F E.W.T./65°F E.A.T./2 GPM Flow Rate
3. Btu/h @ 2 P.S.I.G. Team/65°F E.A.T.



ADVANCED GREEN TECHNOLOGIES



ICE AIR's PTACs set the standard for environmentally friendly HVAC equipment. We use R410A non-ozone-depleting refrigerant throughout all of our product lines. And our advanced digital controls achieve optimum user comfort while saving energy, ensuring that our products safeguard the environment, inside the building and out.



INDUSTRY BEST SOUND LEVELS



ICE AIR's commercial grade units utilize the highest quality materials and manufacturing practices in order to provide years of whisper quiet and cost-effective operation. Advanced compressor isolation technology, top grade thermal and sound insulation and right-sized air handling components provide low sound levels while achieving optimum comfort.

HIGH LEVELS OF ENERGY EFFICIENCY



ICE AIR manufactures the highest-efficiency PTACs on the market, with EERs to 12.0. As a member of the USGBC (Green Building Council), we are committed to delivering highly efficient comfort conditioning equipment that provides multiple benefits to our customers – including lower operating costs, enhanced LEEDS points and a healthy environment.



REPLACEMENT TABLE

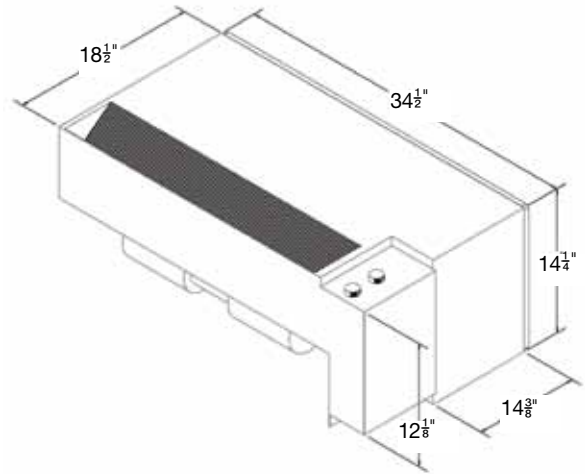
ICE AIR Exact Fit™ REPLACEMENT PTAC Packaged Terminal Air Conditioners



ORIGINAL MANUFACTURER	MODEL/SERIES	
Amana	PTC/PTH	RSHM
American Air Filter (AAF)	Type 25 Type 16	RS41 RS16
American Standard	Type 41 Type 45	RS41 RS16
Applied Comfort	DMQ,DHP	RSC
Carrier	52ME/52MQ Wallmate 51 P	RSHM RSC
Climate Master	700 AD 702,703,704	RSCM/B* or C* RSCM/A
Cool Heat	RM	RSZ
Embassy	Weather Twin	RSZ
Fedders	Maxizone	RSF
Friedrich	PDE/PDH 700 AD 702,703,704	RSHM RSCM/B* or C* RSCM/A
GE	Zonline	RSHM
Heil-Quaker	C	RSC
Ice-Cap	RSC RSK RSCT RSCT-ZS	RSC RSK RSCT RSCT-ZS
Islandaire	AD CM CS ED JK NE MX RK RM RT WL 16 41	RSCM/B* or C* RSCM/A RSC RSEA RSCT-JK RSNH RSF RSK RSZ RSCT WL RS16 RS41
W, Wenig	WL "Coffin" IW "Step Up"	WL RSIW
KeepRite Seasonall	DM, DMA, DMQ	RSC
LG	LP Series	RSHM
McQuay	EA, ES, RS N, NH, PDNS PNES, ENR TPW K, EK, RK	RSEA RSNH RS16 RSC RSMK
Remington	EA, ES, RS K, EK	RSEA RSMK
RetroAire	RC40 RC/RH20 RC/RH22 RC/RH30 RC/RH35 RC/RH90	RSF RSZ,RSCM/A RSK RSC RSEA RSCM/B* OR C*
Singer	EA, ES, RS N, NH K, EK TYPE 16	RSEA RSNH RSMK RS16
SlantFin	JK	RSCT-JK
TPI	RaMatic	RSZ
Trane	PTEC/PTHC	RSHM
Weil-McLain	700 AD	RSCM/B* OR C*
Whirlpool	AVT	RSC
ZoneAire	PTAC CSM, CHP, CLIMETTE RM, SC	RSHM RSC RSZ

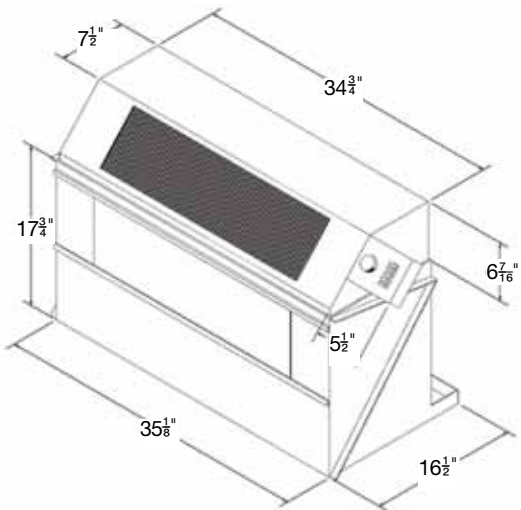
*Control box configuration must be specified

ICE AIR RS16



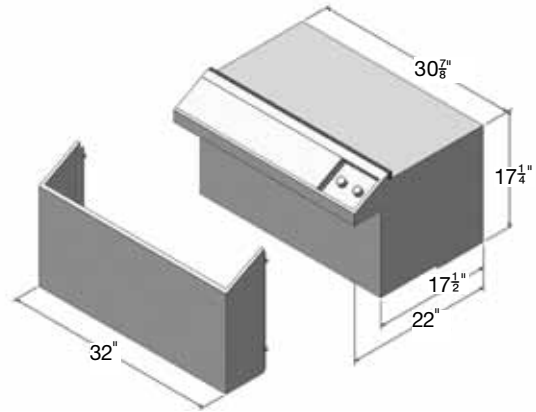
ICE AIR MODEL	MANUFACTURER	SERIES
RS16	AMERICAN AIR FILTER (AAF)	TYPE 16
	AMERICAN STANDARD	TYPE 45
	McQUAY	TYPE 16
	SINGER	TYPE 16
	ISLANDAIRE	16

ICE AIR RS41



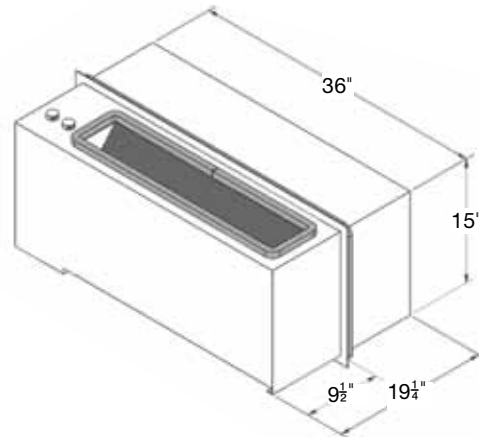
ICE AIR MODEL	MANUFACTURER	SERIES
RS41	AMERICAN AIR FILTER (AAF)	TYPE 25
	AMERICAN STANDARD	TYPE 41
	ISLANDAIRE	41

ICE AIR RSC



ICE AIR MODEL	MANUFACTURER	SERIES
RSC	APPLIED COMFORT	DMQ, DHP
	ZONEAIRE	CSM, CHP & CLIMETTE
	HEIL-QUAKER	C SERIES
	KEEPRITE SEASONALL	DM, DMA, DMQ
	CARRIER	WALLMATE 51 P-Series
	WHIRLPOOL	AVT Series
	McQUAY	PW Series
	ISLANDAIRE	CS Series
	RETROAIRE	RC/RH30
	ICE CAP	RSC Series

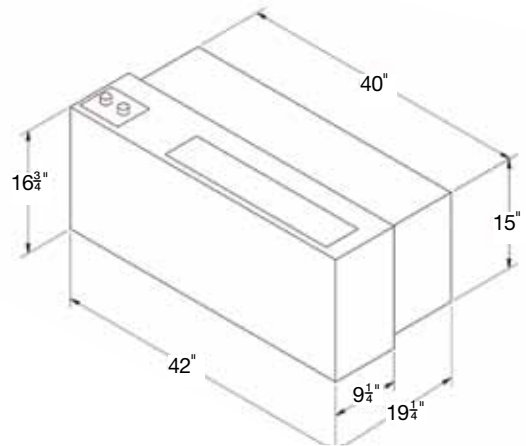
ICE AIR RSCM/A/B/C



ICE AIR MODEL	MANUFACTURER	SERIES A	SERIES B* OR C*
RSCM/A/B/C	CLIMATE MASTER	702,703,704	700 AD
	FRIEDRICH	702,703,704	700 AD
	WEIL-McCLAIN	702,703,704	700 AD
	ISLANDAIRE	CM	AD
	RETROAIRE	RC/RH20	RC/RH20

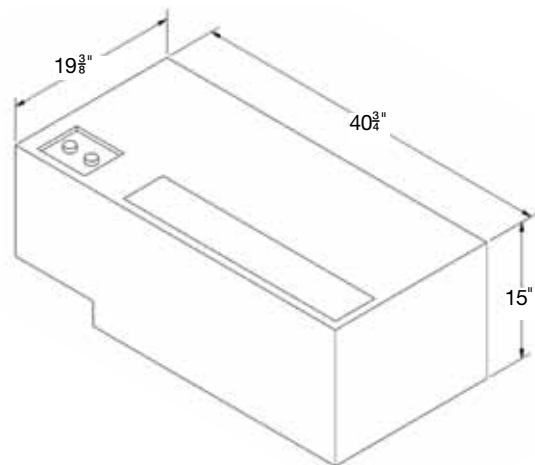
*Control box configuration must be specified

ICE AIR RSCT



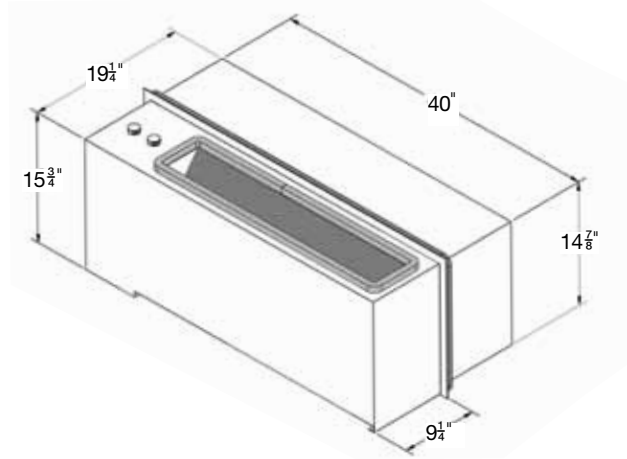
ICE AIR MODEL	MANUFACTURER	SERIES
RSCT	ICE-CAP	RSCT
	ISLANDAIRE	RT

ICE AIR RSCT-JK



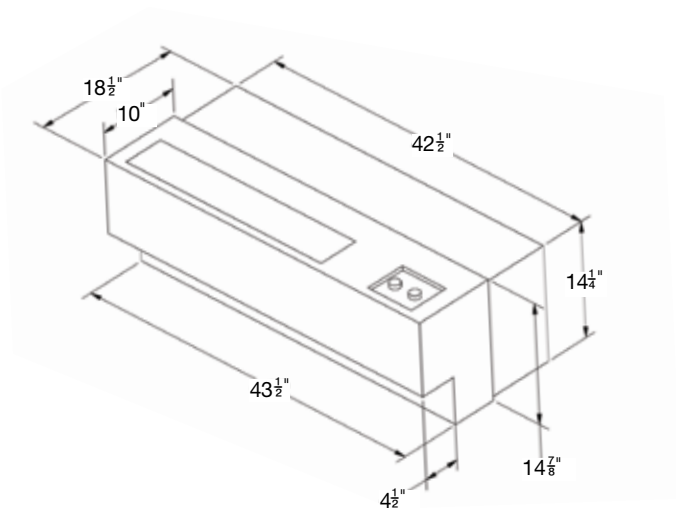
ICE AIR MODEL	MANUFACTURER	SERIES
RSCT-JK	SLANT FIN	JK
	ISLANDAIRE	JK

ICE AIR RSCT-ZS



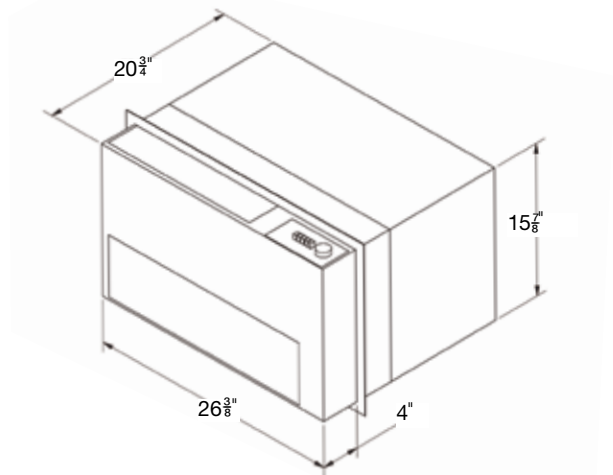
ICE AIR MODEL	MANUFACTURER	SERIES
RSCT-ZS	ICE-CAP	RSCT-ZS

ICE AIR RSEA



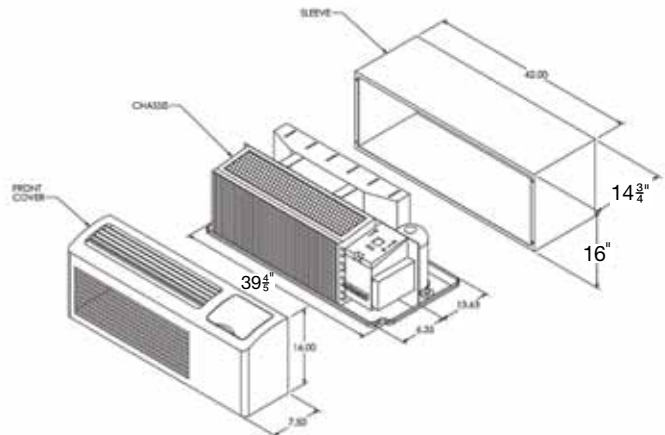
ICE AIR MODEL	MANUFACTURER	SERIES
RSEA	McQUAY	EA, ES, RS
	REMINGTON	EA, ES, RS
	SINGER	EA, ES, RS
	ISLANDAIRE	ED
	RETROAIRE	RC/RH35

ICE AIR RSF



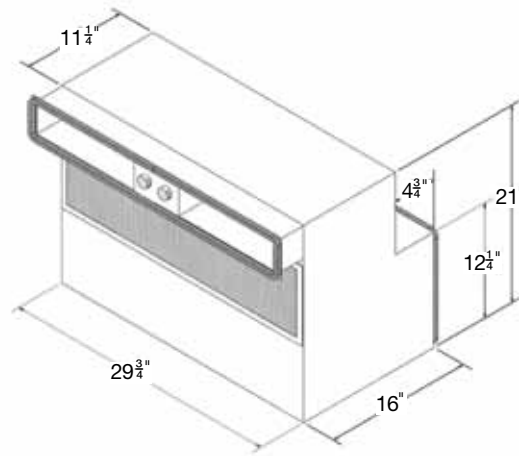
ICE AIR MODEL	MANUFACTURER	SERIES
RSF	FEDDERS	MAXIZONE
	ISLANDAIRE	MX
	RETROAIRE	RC40

ICE AIR RSHM



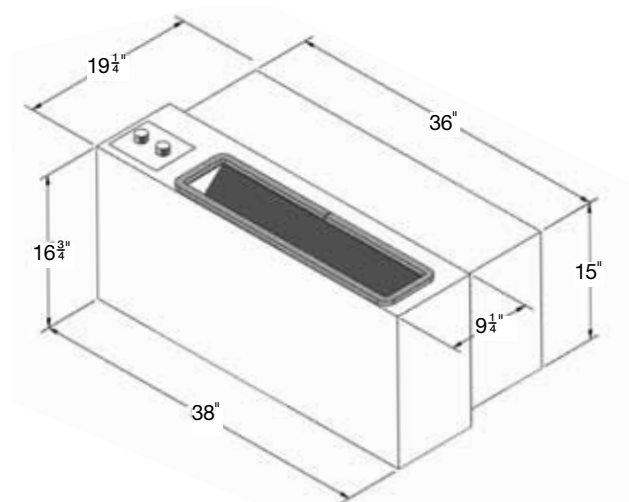
ICE AIR MODEL	MANUFACTURER	SERIES
RSHM	AMANA	PTC / PTH
	CARRIER	52ME / 52MQ
	FRIEDRICH	PDE / PDH
	GE	ZONELINE (AZ)
	LG	LP SERIES
	TRANE	PTEC/PTHC
	ZONEAIRE	PTAC

ICE AIR RSIW



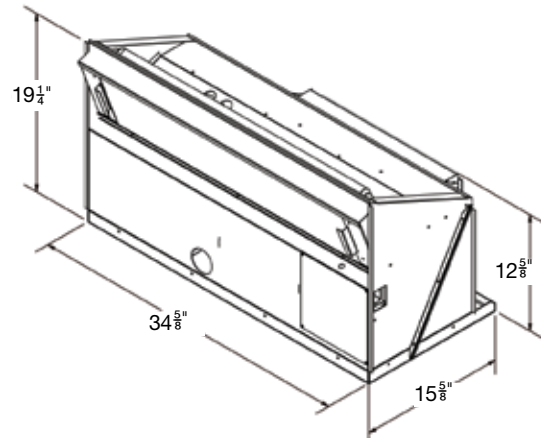
ICE AIR MODEL	MANUFACTURER	SERIES
RSIW	IW, WENIG	IW, "STEP-UP"

ICE AIR RSK



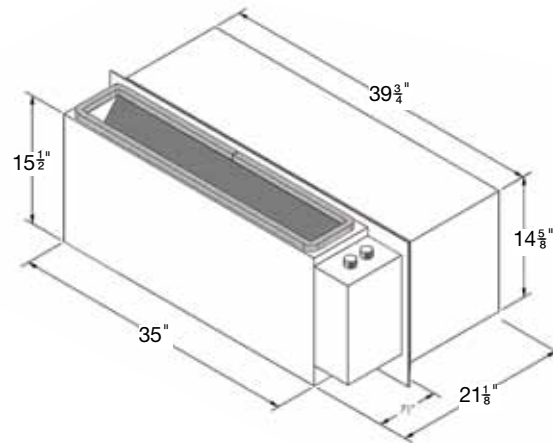
ICE AIR MODEL	MANUFACTURER	SERIES
RSK	ICE-CAP	RSK
	ISLANDAIRE	RK
	RETROAIRE	RC / RH22

ICE AIR RSMK



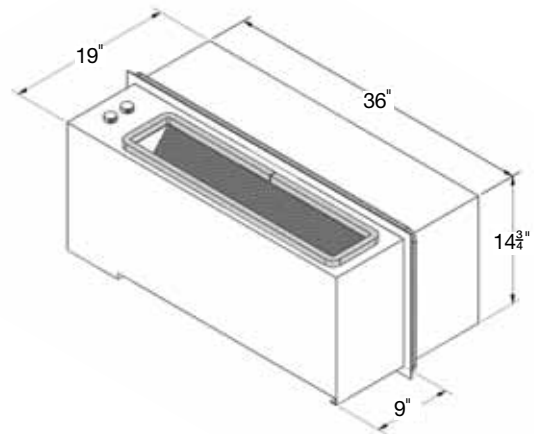
ICE AIR MODEL	MANUFACTURER	SERIES
RSMK	SINGER	K, EK
	REMINGTON	K, EK
	McQUAY	K, EK, RK
	ICE CAP	RSK/K, RSMK

ICE AIR RSNH



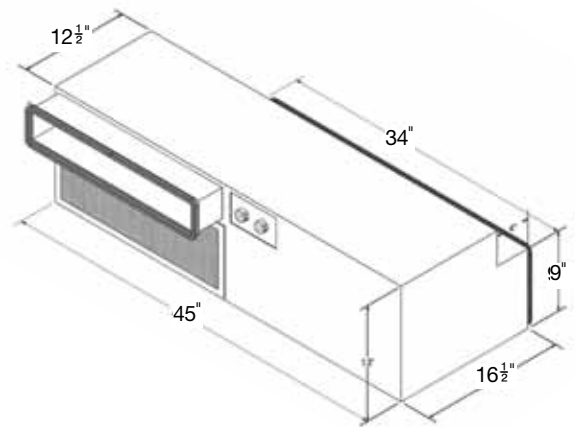
ICE AIR MODEL	MANUFACTURER	SERIES
RSNH	McQUAY	N, NH, PDNS
	SINGER	N, NH
	ISLANDAIRE	NE

ICE AIR RSZ



ICE AIR MODEL	MANUFACTURER	SERIES
RSZ	COOL HEAT	RM
	EMBASSY	WEATHER TWIN
	TPI	RaMATIC
	ZONEAIRE	RM, SC
	ISLANDAIRE	RM
	RETROAIRE	RC / RH20

ICE AIR WL



ICE AIR MODEL	MANUFACTURER	SERIES
WL	IW, WENIG	WL "COFFIN"
	ISLANDAIRE	WL

ACCESSORIES

ICE AIR ExactFit™ Replacement PTAC Accessories:

ICE AIR's PTACs have different accessories to customize the unit for site or application requirements, including digital thermostats (for exact temperature control and maximum comfort), convenient motorized valves, outside fresh air dampers and a whole array of other accessories. Contact ICE AIR or your local ICE AIR representative for details.

Replacements include: RS16, RS41, RSC, RSCM, RSCT, RSCT-JK, RSCT-ZS, RSEA, RSF, RSHM, RSIW, RSK, RSMK, RSNH, RSZ, WL

DIGITAL THERMOSTATS	Digital 7-day Programmable LCD Thermostat – Remote or unit mounted
	Digital Non-Programmable LCD Thermostat – Remote or unit mounted
	Unit Configuration for Building Management System Interface – ICE AIR units wired to work w/BMS, controls by others
	Remote Thermostat Ready, line volt/stat by others – Wired for use w/remote stat, w/blank off
	Low Voltage Remote Thermostat Ready/stat by others – Wired for use w/24V low volt remote stat, w/blank off
	Non-Programmable LED Thermostat – Remote or unit mounted
VALVE PACKAGE COMPONENTS	2-way 115 Volt Motorized Valve (NO/NC) – control valve (specify normally open or closed)
	2-way 208 Volt Motorized Valve (NO/NC) – control valve (specify normally open or closed)
	3-way 115 Volt Motorized Valve (NO/NC) – control valve (specify normally open or closed)
	3-way 208 Volt Motorized Valve (NO/NC) – control valve (specify normally open or closed)
	Ball/Shut-off Valves (2 per unit) – “Ball and Stem” shut-off valves
OUTSIDE AIR DAMPER	Motorized Outside Air Damper – to be controlled w/rocker switch
	Extra Outside Air Module – Increase standard OA flow from 60 CFM to 110 CFM
	Custom Valve Packages Available
MISCELLANEOUS	Dual Line Cords – Additional line cord for back-up power
	Fan Cycle Switch (toggle switch) – Evaporator fan will shut off w/compressor in a/c mode
	Security Key for Room Enclosure – Room enclosure with security key access
	Disconnect Switch – Power disconnect switch added to chassis
	Front Intake Chassis Modification – Conversion from bottom air return to front air return
	Detached Control Box – Control box on conduit separated from chassis
	Detached Control Box – Control box on conduit separated from chassis
	Louvers
	Coils – Hot water, steam
	Electric Heat
	Room Enclosures
	Drain Kit (for model RSHM)
	Condensate Pump (for model RSHM)
	Sub Base (for model RSHM)
	Lateral Air Duct

NEW CONSTRUCTION

HiSpec™ PTAC EQUIPMENT

QUALITY, VALUE AND PERFORMANCE. ICE AIR's HiSpec PTACs offer superior performance, quality manufacturing and customer value. These deliverables set the standard for ICE AIR as the best choice for new construction volume users such as residential buildings, hotels, dormitories, medical facilities and more. With state-of-the-art technology, ICE AIR delivers the full complement of performance excellence, including:

- Reliability
- Energy efficiency
- Ease of operation
- Low cost, easy installation
- Quiet comfort
- Compact, aesthetic design
- Customization options

CALL
or EMAIL us for
a catalog!



OTHER PRODUCTS

CONSOLE WSHP

WATER SOURCE HEAT PUMP (WSHP) units are combination cooling and heating units which provide an efficient room-by-room source for comfort conditioning. Units function independently and are piped to a central water loop. These state-of-the-art units come with digital controls designed to optimize user comfort and ease of operations. WSHPs are designed to provide years of trouble-free operation and reliable performance in multi-family housing, hotels/motels, commercial buildings and more. Units are designed for new construction, retrofit and replacement applications.

Features:

- R410A "green" refrigerant
- High levels of energy efficiency
- Industry's best sound levels
- Direct replacement for Singer, McQuay, Climate Master, Trane, Carrier and others
- Available with factory piping packages



VERTICAL STACK WSHP

VERTICAL WATER SOURCE HEAT PUMPS are intended for new construction or retrofit applications. Each unit offers superior performance and quality and heavy duty manufacturing. They are designed to provide years of trouble-free operation and reliable performance in commercial, industrial, and multifamily buildings.

Features:

- R410A "green" refrigerant
- High levels of energy efficiency
- Smallest footprint in industry
- Industry's best sound levels
- Available with factory piping packages and risers
- We include standard features that many other manufacturers provide as additional options

OTHER PRODUCTS

FAN COIL UNITS

FCUs provide superior whisper quiet, energy efficient performance. And, they are guaranteed to lower installation and operating costs on your new construction, retrofit or renovation projects. They are available in a variety of coil configurations to offer heating and cooling to a variety of spaces. Our FCUs are available as freestanding cabinet units (Vertical Exposed), or can be mounted inside walls (Vertical Concealed), in the ceiling (Horizontal Concealed and Horizontal Concealed – Ultra Thin), or in other locations.

Features:

- High level of energy efficiency
- Available in 2-pipe, 4-pipe, DX
- Optional piping packages
- Direct replacement for: IEC, Carrier, Trane and others



STACK FAN COIL UNITS

STACK FCUs are applicable for new construction, retrofit and renovation projects. They feature whisper quiet operations and are available in 2-pipe, 4-pipe and DX configurations. Optional riser and piping packages are also available.

Features:

- R410A “green” refrigerant
- High levels of energy efficiency
- Smallest footprint in industry
- Industry’s best sound levels
- Available with factory piping packages and risers
- We include standard features that many other manufacturers provide as additional options





HOW CAN WE WORK WITH YOU?

Put your next replacement/retrofit project into the hands of the the HVAC equipment pros at ICE AIR! Looking for “World Class Comfort and World Class Value”? ICE AIR delivers breakthrough products, service and savings. Contact the ICE AIR Pro Team. We guarantee we will deliver a winning program of product excellence, unbeatable savings, industry leading services and superior know-how on your next project.

Ever since our inception, we have been dedicated to maintaining superior performance, quality manufacturing and customer value. With 40 years of project management experience, you can trust our adherence to demanding architectural and engineering requirements. Plus, with our strong focus on high quality, technology and efficiency, we will exceed your expectations for reliability and product value. And, with ICE AIR, on-time delivery and cost savings are built into every order!

Call ICE AIR today at 877-ICE-AIR-1 (877-423-2471) or email us at sales@ice-air.com.

ASK ABOUT:



Introducing ICE AIR's Made2Measure custom HVAC equipment. In addition to our standard lines of PTACs, WSHPs and FCUs, we will customize our units and accessories to meet specialized requirements.

PACKAGED TERMINAL
AIR CONDITIONERS (PTAC)



FAN COIL UNITS (FCU)



WATER SOURCE HEAT PUMPS
(WSHP)





ICE AIR

World Class Comfort™

80 Hartford Avenue, Mount Vernon, NY 10553 | Tel: 877-ICE-AIR-1 (877-423-2471) | Fax: 914-668-5643

www.ice-air.com

© 2011 by ICE AIR, LLC | Printed in the U.S.A. ICE6001

